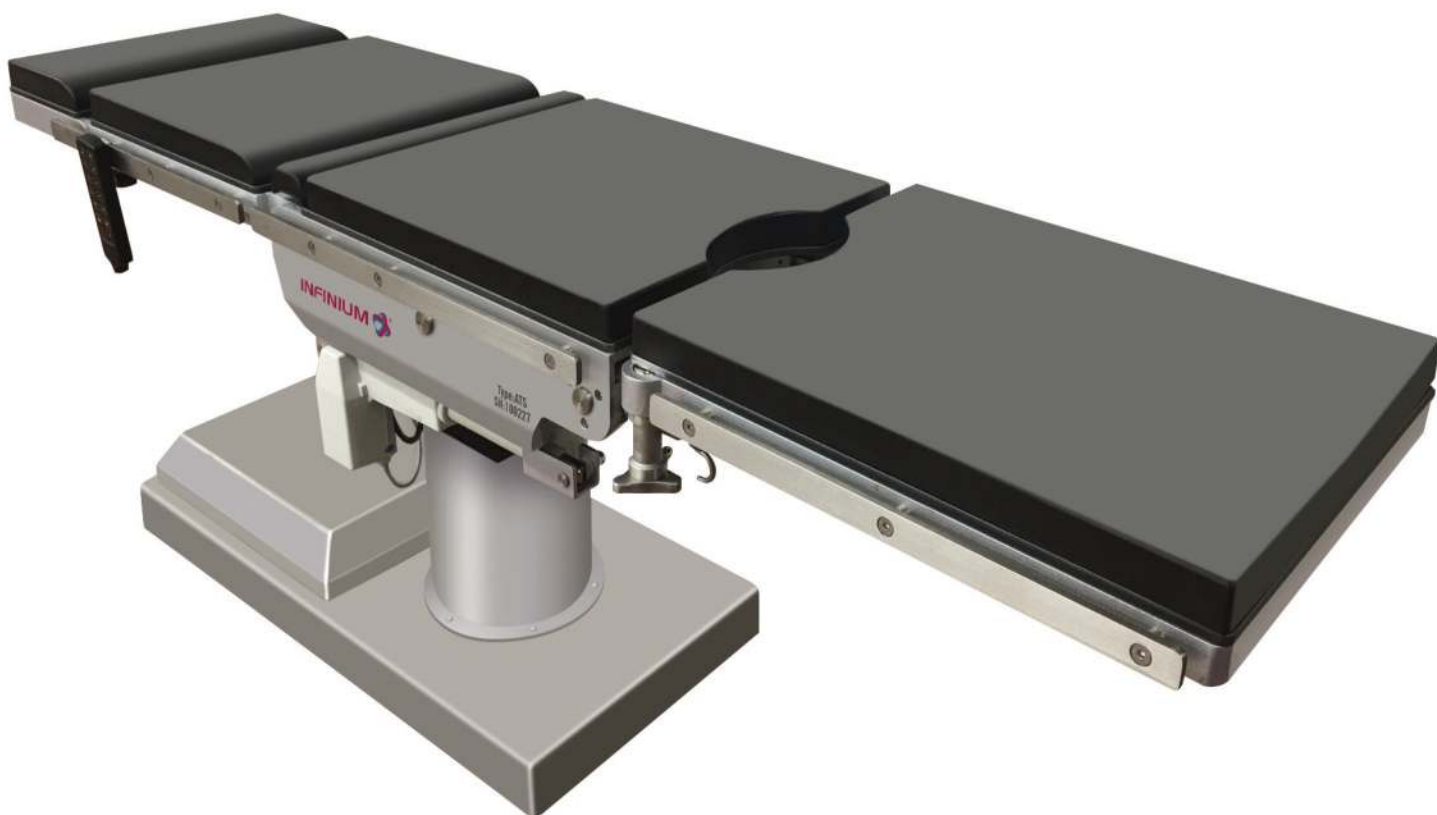


ATS LATERIS[®]

SURGICAL TABLE



INTUITIVE MOTION
UNYIELDING STABILITY

ATS LATERIS[®]



Intuitive Motion

Built to the foremost standard of quality, with intuition and stability in mind. The ATS Surgical table exceeds the standards in patient positioning. The ATS surgical table features a C-arm compatible table top with up to a 1000 lb lift capacity. The ATS is equipped with a 180 degree rotating tabletop to maximize patient imaging access. The horizontal movement feature maximizes efficiency in patient imaging. The ATS can also be adjusted to a low height of 740mm off the floor to allow the surgeon better access for seated procedures.

Safety

The ATS Surgical table is mobile with 4 anti-static castors. The floor lock system braces the table in place with unyielding stability. A battery backup system can continue to power the table for hours in case of a power failure. The hand controller is outfitted with safety locks to avoid unintentional table movement. Return to level can be done quickly and efficiently with the touch of a button.



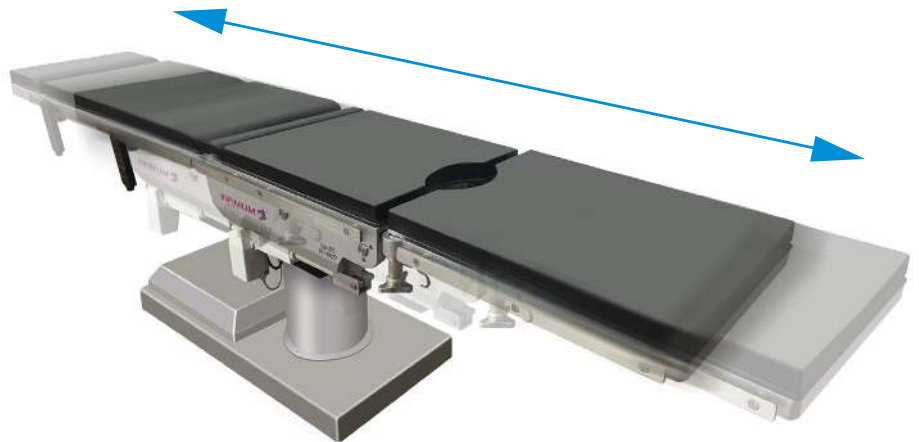
- Silent electro-hydraulic movements
- 500 LB Lift Capacity
- Electronic control with safety lock
- Mobile anti-static castors with floor lock
- Horizontal Slide for Imaging Applications
- 180 degree table top rotation
- Flex / Reflex positioning
- Easy access to electro-hydraulic system for service
- Optional battery backup
- Optional auto-reset / level function
- Optional 1000 LB lift Capacity

Built To The Foremost Standard Of Quality

WITH INTUITION AND STABILITY IN MIND.



- 180 degree table top rotation for optimal surgical access.



- Lateral slide movement for optimal imaging access.



Ergonomic Hand Control

- Easy Touch Positioning
- "E" Lock button to avoid accidental movement
- Floor lock / Unlock
- Optional Return to Level
- Optional Low Level Positioning

ATS LATERIS® TECHNICAL SPECIFICATIONS:



▫ Trendelenburg



▫ Reverse Trendelenburg



▫ Flex / Reflex Positioning



▫ Back Up Positioning



▫ Lower Body Imaging



▫ Upper Body Imaging

Height	740mm~1100mm
Trendelenburg/ Reverse Trendelenburg	30°
Tilt Left/Right Oblique	15°
Chest Plate Adjustment	25°/ 35°
Back Plate Adjustment	+75°/ -20°
Head Plate Adjustment	+20°/-90°

Leg Plate Adjustment	90°
Leg Plate Angle	0~ 90°
Rotation	0~ 180°
Longitudinal Shift	350mm
Wired Remote Control	
Reset to Level Function	Optional
Emergency Power Supply	Optional