

LemiMD *Dreamed*
ITALIAN MEDICAL EQUIPMENT

INFINIUM[®]



AESTHETIC PLASTIC DENTAL ENT OPHTHAMOLOGY

Power Procedure Chair

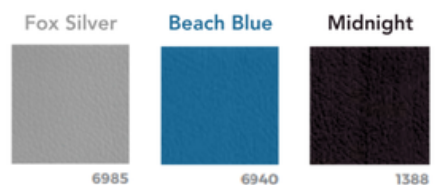
Mobile Procedure POWER CHAIR

The Lemi Dreamed is equipped with high-performance and silent electronics and a practical standard foot pedal control. The shape of the backrest is designed for easy access for facial procedures and exams. There are several popular fire retardant, antibacterial premium upholstery options. The LeMans has a compact footprint and is suitable for small rooms.

- › Tapered head surgery access
- › 180° rotation & Trendelenburg positioning
- › Synchronized backrest / legrest
- › Advanced premium fabric
- › Height, back, leg, trend with hand or foot pedal
- › A low height adjustment to 21"
- › "Easy-to-clean" seamless anatomic mattress
- › Foldable armrests



Stock Color Options for Fast Deliver



Lemi Dreamed Optional Accessories



Wireless foot pedal control with memory function



Headrest



Fixed clamp



Handset control with memory function



Ophthalmological headrest



Rotating clamp



*I.V. Rod
(fixed with rotating clamp and guides on the back)*



*Medical armrest couple
(to be fixed with rotating clamp and guides on the back)*



Anto headrest for full head access



Seat guide couple



Blood sample taking armrest couple



Strip headrest



Cushion between seat and leg



*Heel support couple
(fixed with fix clamp and guides on the seat)*



Roll Holder



Plastic leg protection



*Thigh supports couple
(fixed with fix clamp and guides on the seat)*



UK cable



*Mayo tray with support
(fixed with fix clamp and guides on the seat)*

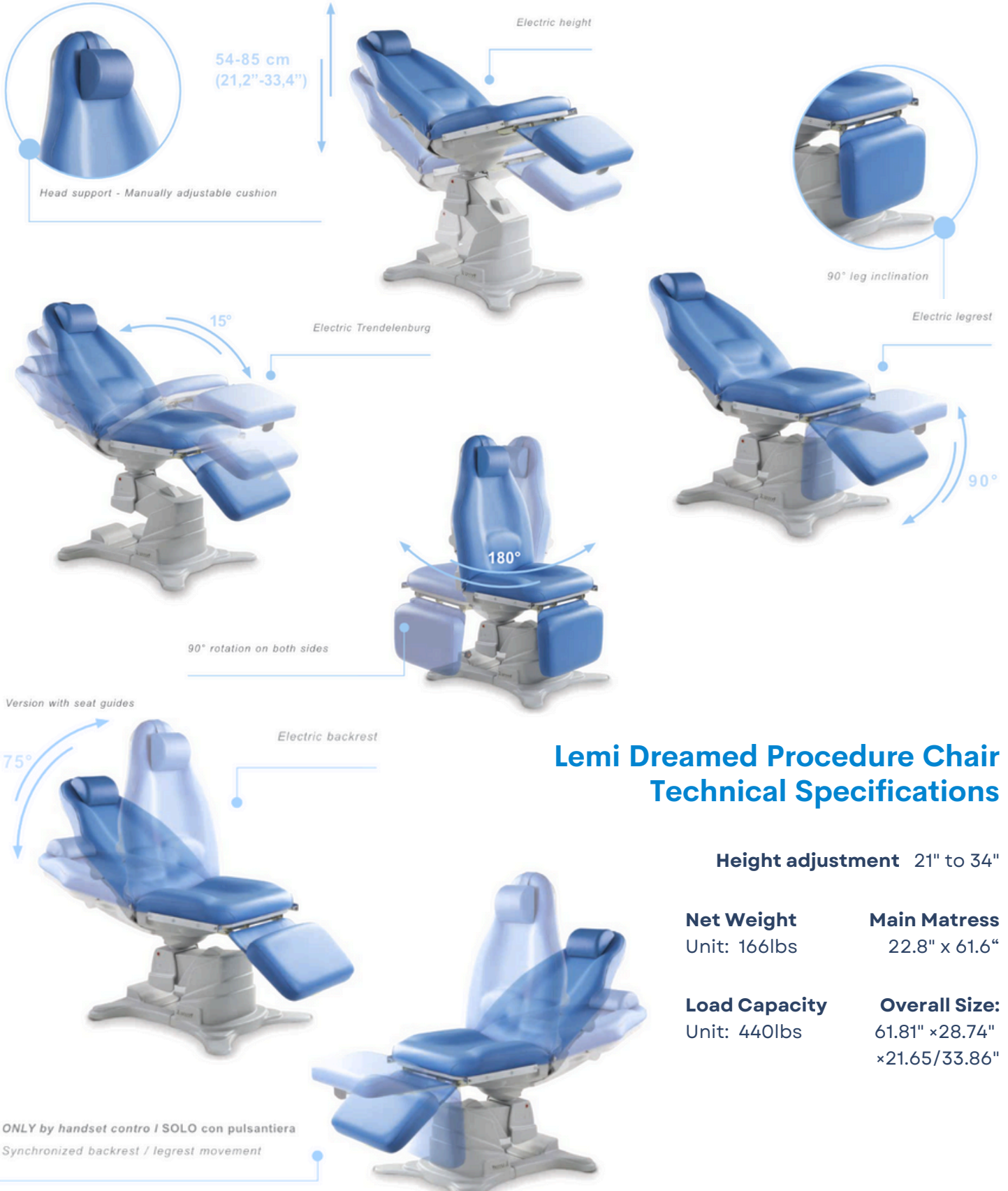


*Curtain holder
(fixed with rotating clamp and guides on the seat)*



USA cable

Lemi Dreamed Features & Functions



Lemi Dreamed Procedure Chair Technical Specifications

Height adjustment 21" to 34"

Net Weight
Unit: 166lbs

Main Mattress
22.8" x 61.6"

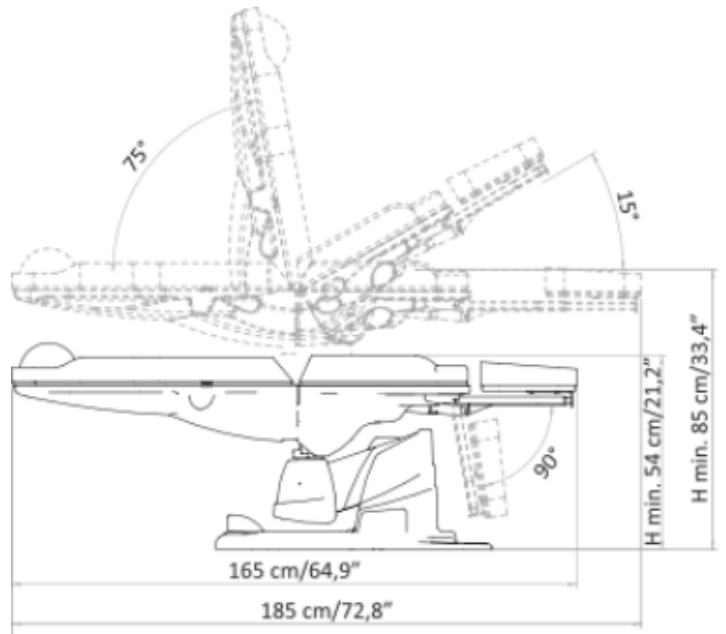
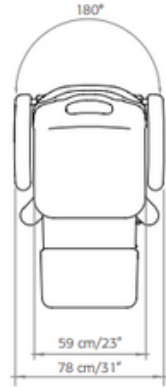
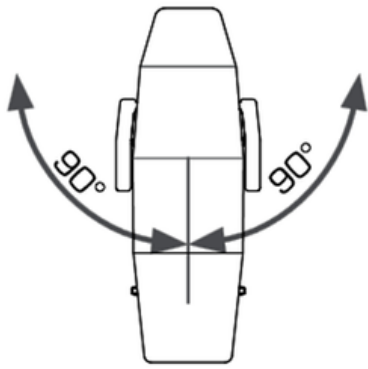
Load Capacity
Unit: 440lbs

Overall Size:
61.81" x 28.74"
x 21.65/33.86"

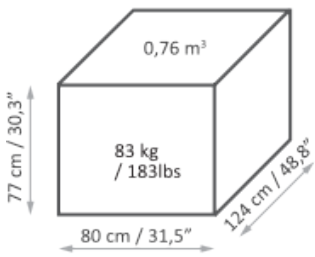
Office Based Exam & Procedures

INFINIUM®

Lemi Dreamed Diagrams



Crate Dimensions




MAXIMUM CAPACITY
 441 lbs
 200 kg



INFINIUM[®]

Infinium Medical
 12151 62nd St North #5
 Largo, FL 33773 • USA

 (1) 866-918-8434
 infiniummedical.com
 sale@infiniummedical.com