



REGULATIONS  marked
All Equipment is

Medical devices Directive 93/42/CEE (Medical Devices Directive) and D. Lgs 24th February 1997, n. 46 - medical device Class I (rule 12) annexe IX dir. 93/42/CEE

EXCLUSIVE USA DISTRIBUTION

INFINIUM[®]

DERMATATOLOGY - ORAL
AESTHETICS - PLASTIC
ENT - OPHTHALMOLOGY

MONZA MOVE NEW



COD. 1218

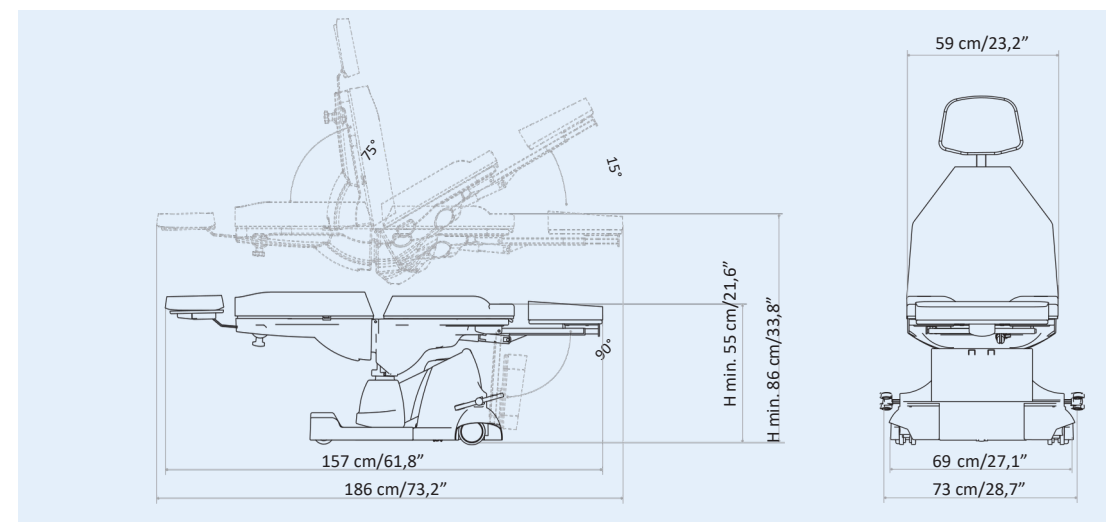
The MONZA MOVE is equipped with high-performance and silent electronics and a practical standard foot pedal control. The shape of the backrest is tapered to specifically provide open access to the patient face. The mobile base helps with cleaning and disinfection of medical environments and the base size is suitable also for small rooms.

IDEAL FOR: Oral, Dermatology, Aesthetic Surgery, Diagnostics, ENT, & Ophthalmic purposes.

* The images are for illustrative purposes only and may not reflect the actual image of the finishing.

Feature Rich

- **Standard foot pedal control** with 1 MEMORY function
- **AUT function:** automatic return to the original position (chair)
- **SYNCHRO function:** synchronized backrest/legrest movement (ONLY by handset control)
- Fire retardant class 1IM, "Azo" free, antibacterial, antifungal covering
- **Standard version includes:** 4 electric motors (height, back, leg, trendelenburg adjustment), foot pedal control, "Easy-to-clean" seamless anatomic mattress with Zak headrest, MOVE base with integrated wheels, back guides

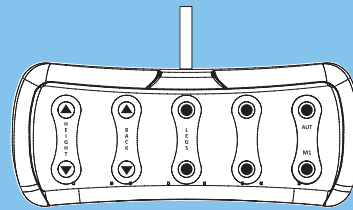


Packaging details

0,76 m3
83 kg
80 cm / 31,5" x 224 cm / 88,2" x 77 cm / 30,3"

MAXIMUM CAPACITY PORTATA MASSIMA
200 kg
441 lbs

STANDARD POWER FOOT CONTROLS



4M
4 ELECTRIC MOTORS

MEMORY
M1 - MEMORY FUNCTION

AUT
AUT FUNCTION



Easy-to-clean anatomic mattress without stitching

55-86 cm
(21,6"-33,8")



Electric height



MOVE base with integrated wheels
Base MOVE con ruote integrate
Front wheels: Ø100 cm with brake
Rear wheels: Ø80 cm without brake
Ruote anteriori: Ø100 cm con freno
Ruote posteriori: Ø80 cm senza freno



75°

Electric backrest



15°

Electric Trendelenburg

Version with articulating head rest and seat guides



Electric legrest

90°



90° leg inclination

MATTRESS CUSTOMIZATION

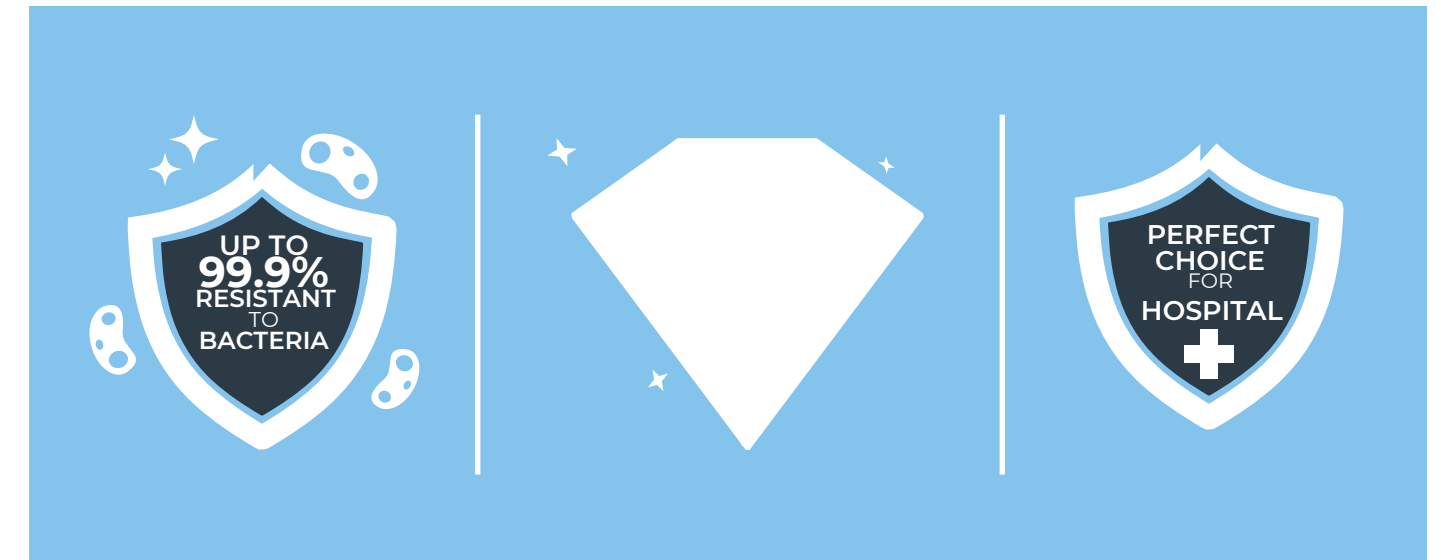


CUSTOM ORDER

The innovative Nefos materials - which are exclusive for LEMI products - and their special finishing touch guarantee easy-cleaning and hygiene. Their extraordinary structural qualities will persist through the years. An incredibly elastic texture enhances the mattress softness and quality at its best. **STANDARD STOCK COLORS ARE MARKED WITH AN "S". ALLOW FOR UPGRADE FEE & 6-8 WEEKS FOR NONSTOCK COLOR ORDERS.**

The images are for illustrative purposes only and may not reflect the actual finish of the product, particularly when viewed through a screen. Therefore, the **SELECTION OF MATTRESS FABRICS** must take place **AFTER CONSULTING** the **PHYSICAL SAMPLES** of the **COLOR CHARTS**.

ANTIMICROBIAL TECHNOLOGY



ADVANCED CONTAMINANT RESISTANT FABRIC

The **Nefos** vinyl leather fabric is made through production processes involving an antimicrobial additive technology. Studies show that fabrics treated with this technology are up to 99.9% resistant to harmful bacteria.

The exceptional result that derives from it is a sanitized fabric with a permanent effect, whose matrix guarantees safety from any contamination thanks to the antibacterial, antifungal and anti-mold effect, which protects the coating from fungal attacks that can cause damage or bad smells, for the entire product's life cycle. The antimicrobial additive technology protects the fibers without changing their characteristics, thus preserving their freshness over time.

A high level of hygiene is essential, that's why this kind of technology was chosen by LEMI for all its bed and chair lines. The peculiarity of these coatings has allowed LEMI to give further value to its products, since thanks to this technology, the cleaning phase of Nefos vinyl leather fabric does not require the use of sanitizing products but requires the use of a soft cloth moistened and soapy, to be rinsed simply with clean water.

OPTIONAL ACCESSORIES



Wireless foot pedal control with memory function (NO foot pedal with cable NO remote control)



Handset control with memory function



I.V. Rod (fixed with rotating clamp and guides on the back)



Seat guide couple



Fixed clamp



Rotating clamp



Auto headrest for hair transplant



Strip headrest



Headrest



Ophthalmological headrest



Medical armrest couple (to be fixed with rotating clamp and guides on the back)



Blood sample taking armrest couple (fixed with fix clamp and guides on the seat)



Heel support couple (fixed with fix clamp and guides on the seat)



Thigh supports couple (fixed with fix clamp and guides on the seat)



Curtain holder (fixed with rotating clamp and guides on the seat)



Roll Holder



Cushion between seat and leg

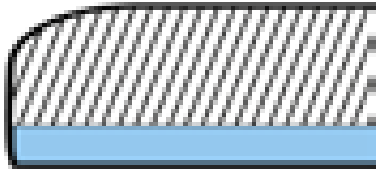


Inox tray with support (fixed with fix clamp and guides on the seat)

LEMI MATTRESSES & HEADRESTS

The **MATTRESSES** of the **LEMI MEDICAL** line are made with the best quality materials to ensure maximum comfort for both the patient and the doctor.

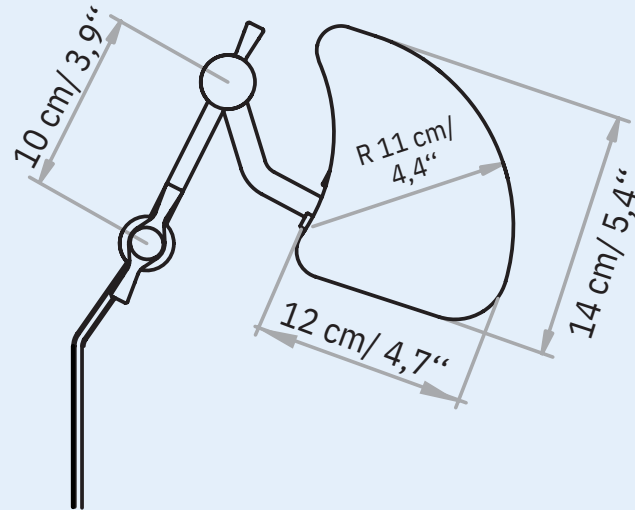
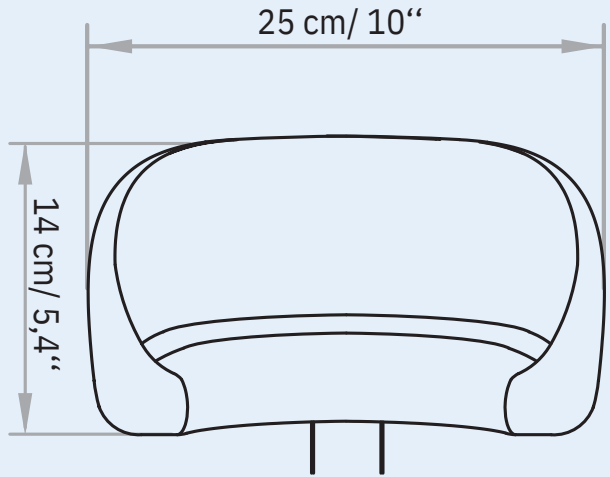
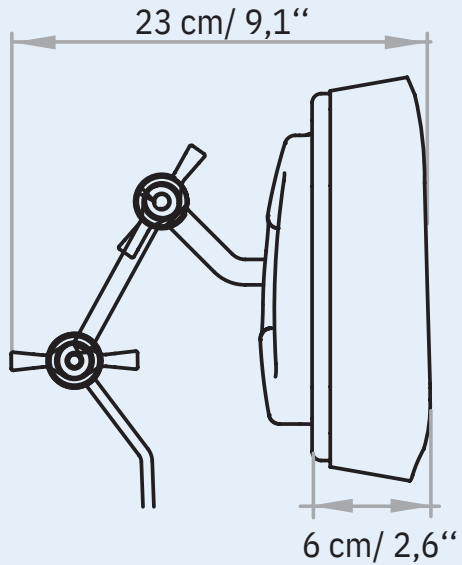
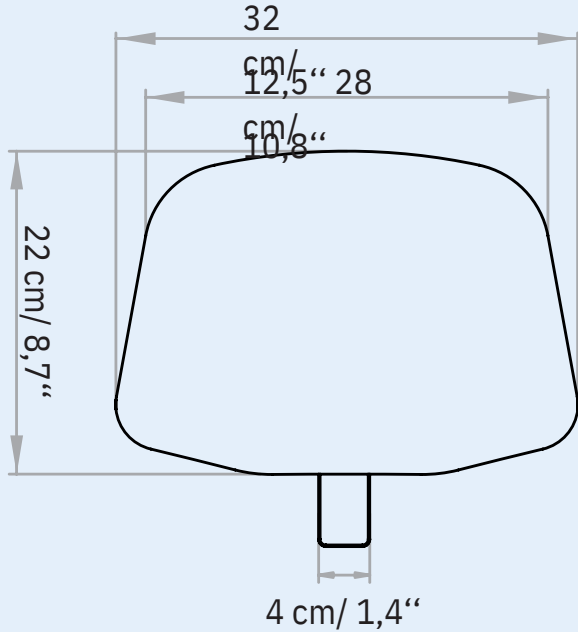
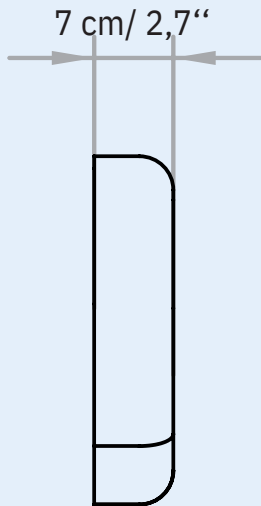
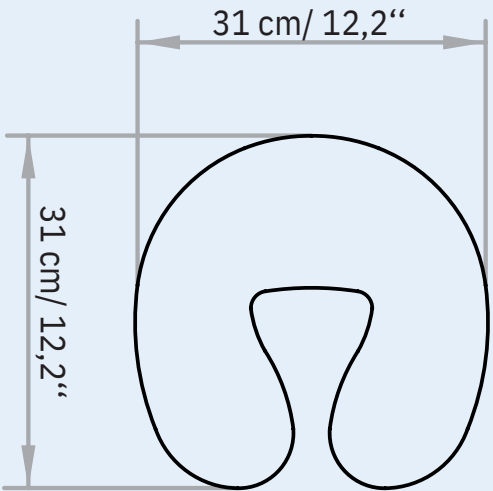
Each mattress is **HANDCRAFTED**, therefore the **ACTUAL MEASUREMENTS MAY VARY** from those indicated in the catalogue by approximately ± 1 cm (also based on the selected configuration).



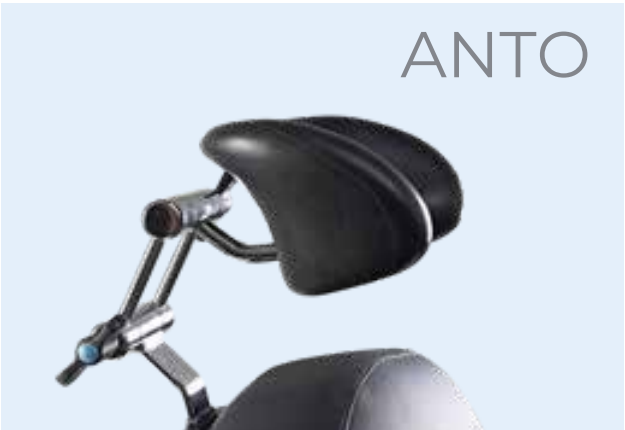
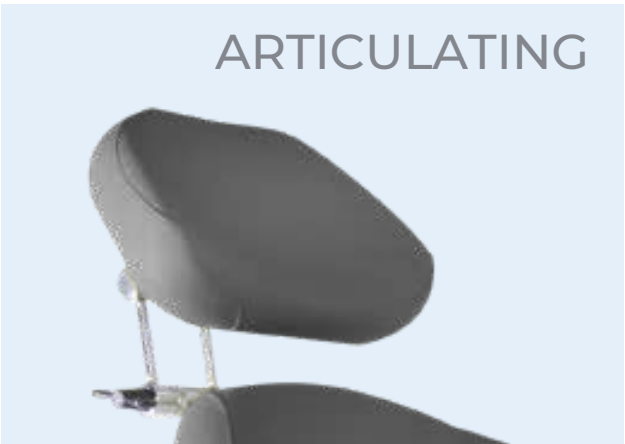
MATTRESS THICKNESS

9 / 12cm

3,5" / 4,7"



HEADS



TECHNICAL SPECIFICATIONS

ABSORPTION ASSORBIMENTO	VOLTAGE VOLTAGGIO	POWER POTENZA	FREQUENCY FREQUENZA	PROTECTION RATING GRADO DI PROTEZIONE	ELECTRIC SYSTEM CONFORMS TO CEI NORMS IMPIANTO ELETTRICO A NORME CEI	CONTROL BOX CENTRALINA
4 Amax (1,7 A)	100 Vac (240Vac)	250W	50/60 Hz	IP 54	60601-1	CLASS II

TECHNICAL SPECIFICATION

WEIGHT CAPACITY : 200 kg / 441 lbs

MINIMUM HEIGHT: 55 CM / 21,6"

MAXIMUM HEIGHT : 86 CM / 33,8"

ANGOLO INCLINAZIONE TRENDELENBURG: 15° **ANGLE OF INCLINATION BACKREST:** 75° **ANGLE OF INCLINATION LEG:** 90°
MATTRESS LENGTH WITH LEGREST: 186 CM / 73,2" **MATTRESS WIDTH:** 59 CM / 23,2" **LATEX-FREE, NON-TOXIC AND NON-CARCINOGENIC MATERIALS FIRE-RESISTANT UPHOLSTERY :**
 UNI 9175 CLASS I M

WARRANTY

STRUCTURE: 10 YEARS

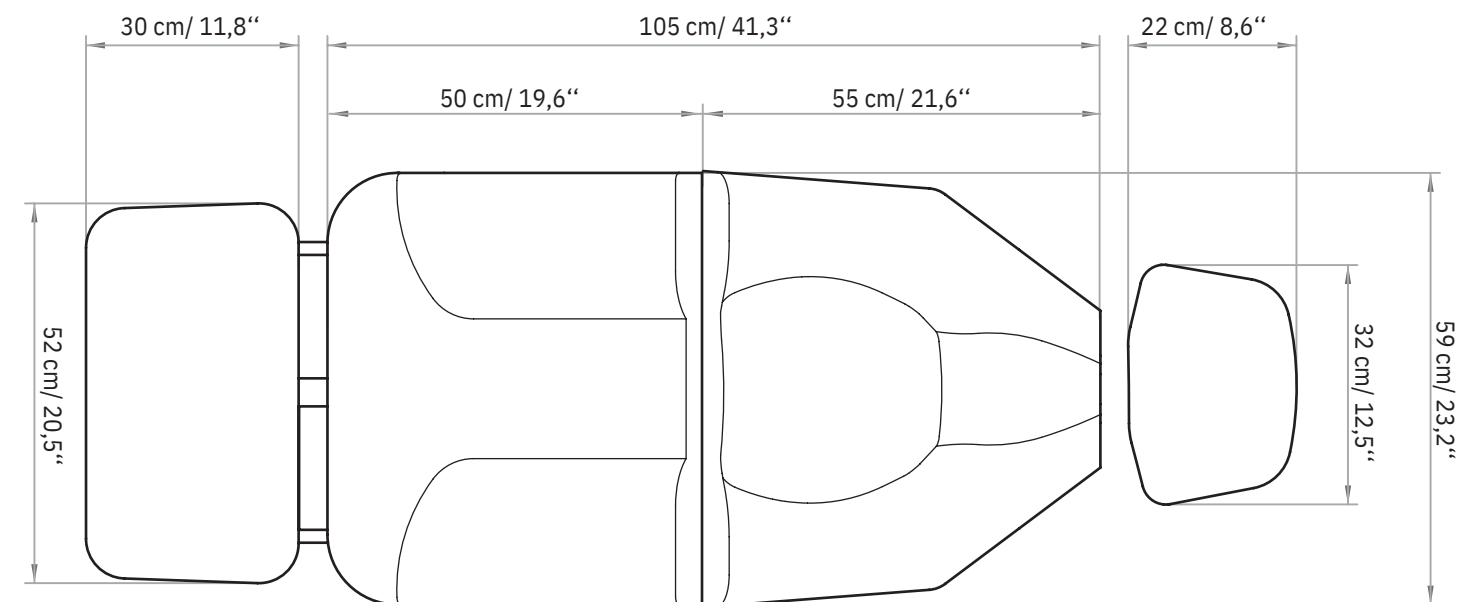
MOTORS AND CONTROL: 2 YEARS

UNDEFORMABLE FOAM: 5 YEARS

All Equipment is **CE** marked

Electrical equipment and beds Directive 2006/42/CE (Machinery Directive) and national regulations. Directive 2014/30/UE (Electromagnetic Compatibility Directive) and national regulations. MDR Regulation 745/2017 (EU). Class I Medical Device. **Hydraulic equipment and beds** Directive 2006/42/CE (Machinery Directive) and national regulations. MDR Regulation 745/2017 (EU). Class I Medical Device. **Images** The images are for illustrative purposes only and may not reflect the actual image of the product.

DIMENSIONS



Infinium Medical
 12151 62nd St North #5
 Largo, FL 33773 • USA

(1) 866-918-8434
infiniummedical.com
sale@infiniummedical.com

LemiMD
 ITALIAN MEDICAL EQUIPMENT

EXCLUSIVE USA DISTRIBUTION

INFINIUM