

EXCLUSIVE USA DISTRIBUTION

INFINIUM[®]



Lemi Monza Move



Lemi Dreamed



Lemi 4

LemiMD
ITALIAN MEDICAL EQUIPMENT

Procedure Series

Compact & Mobile Platform

- Tapered mid-section
- Removable articulating headrest
- Easy-lock smooth casters
- Hand & foot controls
- Accessory side-rails
- Quiet power height, back, leg rest, & trend
- 21.6" barrier-free low height access



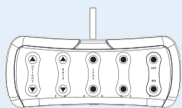
Load Capacity: 441 lbs



Integrated Wheels

High quality front and rear casters with easy to use breaking system.

Chair Height: 21.6" to 33.8"
Mattress Width: 23.2"
Mattress Length: 61.8" to 73.2"
Chair Weight: 183 lbs



4M 4 ELECTRIC MOTORS

MI - MEMORY FUNCTION

AUT AUT FUNCTION



Easy-to-clean anatomic mattress without stitching

Electric Trendelenburg



90° leg inclination
Electric legrest



THICKNESS
12cm | 4.7"

Power Procedure Chair

Form Meets Function

- Tapered surgery access
- Adjustable head rest
- Premium easy-to-clean fire resistant medical fabric
- Built-in arm rests
- Quiet power height, back, leg rest, & trend functions
- 20" barrier-free low height
- Hand and foot controls

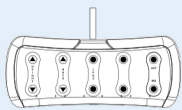


Load Capacity:
441 lbs



Tapered Headrest Access

Chair Height: 21" to 33"
Mattress Width: 22.8"
Mattress Length: 61.6" to 72.8"
Chair Weight: 166 lbs



4M

4 ELECTRIC MOTORS



MI - MEMORY FUNCTION



AUT FUNCTION



Electric Trendelenburg



Electric backrest



57-87 cm
(22,4"-34,2")

THICKNESS
9cm | 3.5"



90° rotation on both sides



Electric legrest

Power Procedure Table

Affordable Luxury & Performance

- Flexible removable headrest options
- Hand and foot controls included
- Accessory base rails
- Premium easy-to-clean fire and bacteria resistant medical fabric
- Smooth power height, back, leg rest, & trend adjustments
- Automatic return to chair function



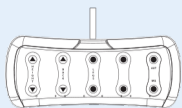
Load Capacity:
440lbs

Chair Height: 24.8" to 35.6"

Mattress Width: 24.4"

Mattress Length: 74.8" to 90.6"

Chair Weight: 172 lbs



4M

4 ELECTRIC MOTORS



MI - MEMORY FUNCTION

AUT

AUT FUNCTION

SYNCHRO

SYNCHRO FUNCTION



THICKNESS
12cm | 4.7"



Removable headrest options

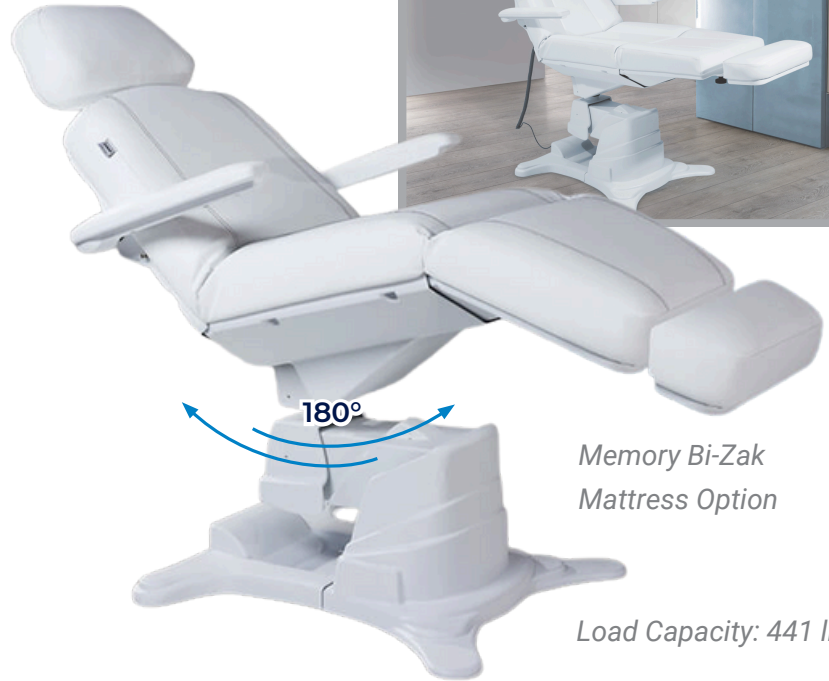


Electric legrest



Advanced Aesthetic Chair

- Adjustable & interchangeable head & foot sections
- Auto return to original position
- Easy-lock smooth casters
- Hand & foot controls with memory function
- Quiet power height, back, leg rest, & trend
- Extra thick memory foam mattress



Chair Height: 24.8" to 37"

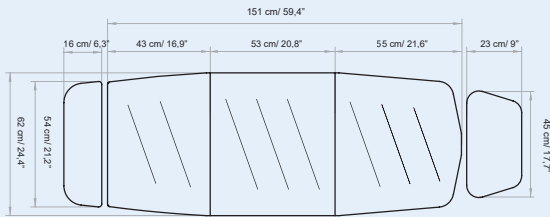
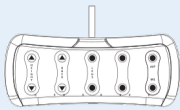
Mattress Width: 24.4"

Mattress Length: 74.8" to 90.5"

Chair Weight: 168 lbs

Memory Bi-Zak
Mattress Option

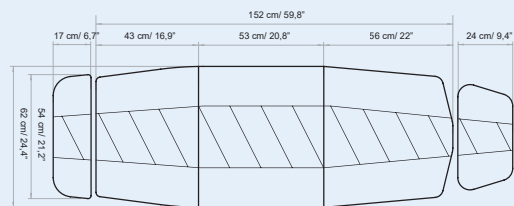
Load Capacity: 441 lbs



FLAT BI-ZAK



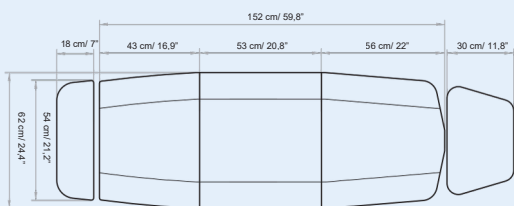
THICKNESS
SPESORE
6cm | 2,4"



ANATOMIC BI-ZAK



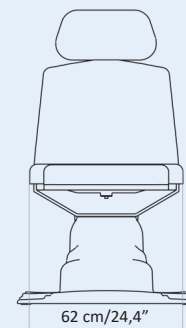
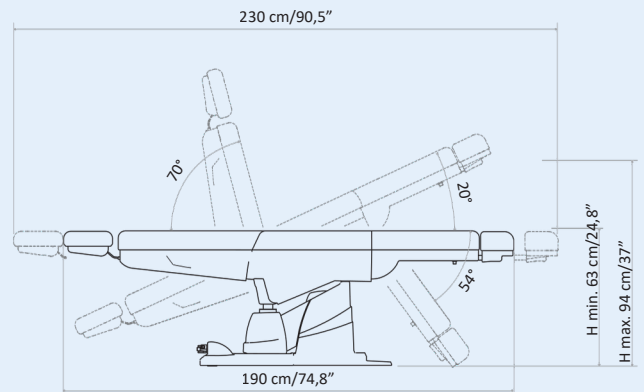
THICKNESS
SPESORE
12cm | 4,7"



MEMORY BI-ZAK

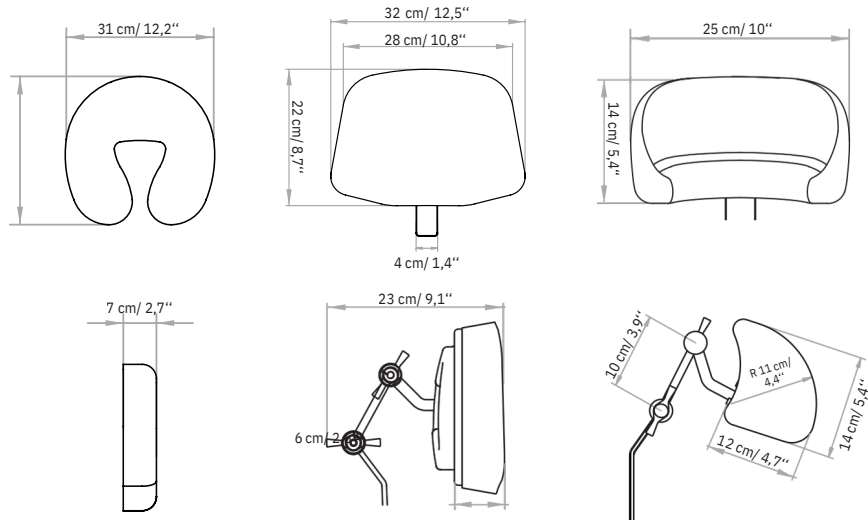


THICKNESS
SPESORE
15cm | 5,9"



REMOVABLE HEADREST OPTIONS

*AVAILABLE ON SELECT CHAIRS



COMMON ACCESSORY OPTIONS

*AVAILABLE ON SELECT CHAIRS



*I.V. Rod
(fixed with rotating clamp
and guides on the back)*



Headrest



Fixed clamp



Seat guide couple



Ophthalmological headrest



Rotating clamp



*Cushion between
seat and leg*



*Medical armrest couple
(to be fixed with rotating
clamp and guides on the back)*



*Anto headrest for
full head access*



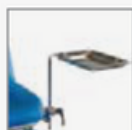
Plastic leg protection



*Blood sample taking
armrest couple*



Strip headrest



*Mayo tray with support
(fixed with fix clamp
and guides on the seat)*



*Heel support couple
(fixed with fix clamp
and guides on the seat)*



Roll Holder



*Thigh supports couple
(fixed with fix clamp
and guides on the seat)*



*Curtain holder
(fixed with rotating clamp
and guides on the seat)*

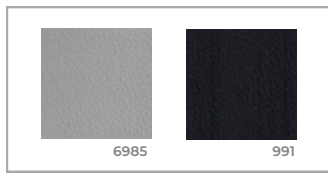


USA cable

ADVANCED Nefos FABRIC Technology



STANDARD NEFOS FABRIC



SPECIAL ORDER

The **Nefos** vinyl leather fabric is made through production processes involving an antimicrobial additive technology. Studies show that fabrics treated with this technology are up to 99.9% resistant to harmful bacteria.

CUSTOM FABRIC COLORS



The innovative Nefos materials - which are exclusive for LEMI products - and their special finishing touch guarantee easy-cleaning and hygiene. Their extraordinary structural qualities will persist through the years. An incredibly elastic texture enhances the mattress softness and quality at its best.

The images are for illustrative purposes only and may not reflect the actual finish of the product, particularly when viewed through a screen. Therefore, the **SELECTION OF MATTRESS FABRICS** must take place **AFTER CONSULTING** the **PHYSICAL SAMPLES** of the **COLOR CHARTS**. Allow an addition **8-10 weeks** for custom fabric orders.

STANDING BEHIND YOUR INVESTMENT

2 Year Guarantee
Full 2 year warranty on all electrical parts of the product.

5 Year Guarantee
a complete 5 year guarantee on the mattress padding.

10 Year Guarantee
On all metal parts of the product

Lifetime Assistance
Remote support and troubleshooting.





Infinium Medical
12151 62nd St North #5
Largo, FL 33773 • USA

(1) 866-918-8434
infiniummedical.com
sale@infiniummedical.com

LemiMD
ITALIAN MEDICAL EQUIPMENT

***** EXCLUSIVE USA DISTRIBUTION

INFINIUM[®]