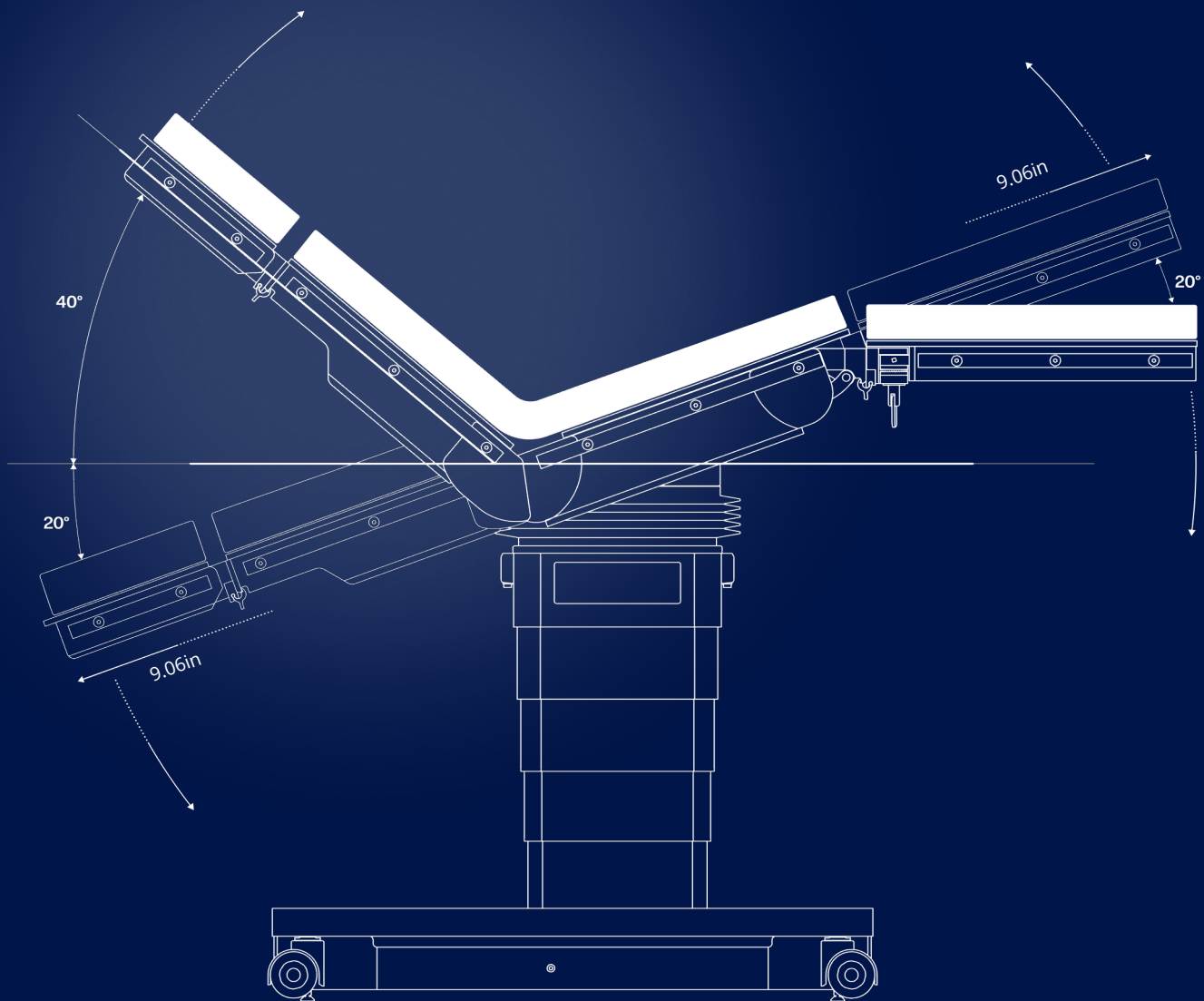


# INFINIUM<sup>®</sup> ST300

Versatile & Efficient  
Surgical Platform

Designed to provide an efficient platform for various surgeries, streamlining surgical workflows, and enhancing the efficiency of the operating room



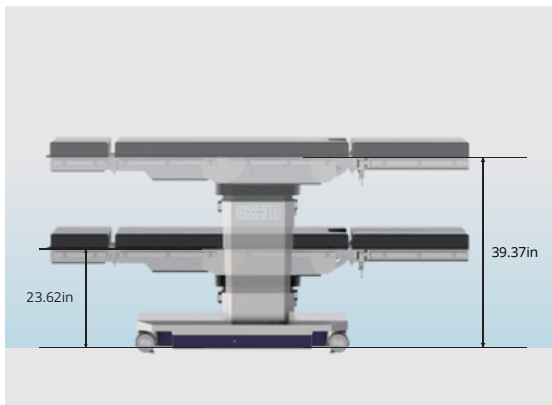
Ergonomically designed to provide optimal surgical positions, ensuring convenient and comfortable procedures for both surgeons and patients

INFINIUM<sup>®</sup>

# INFINIUM® | ST300



# A Powerful & Affordable Platform



## Versatile

INFINIUM ST300 Surgical table provides an exceptionally low height for MIS, robotic and bariatric techniques without sacrificing the height needed for orthopedic and cardiac procedures



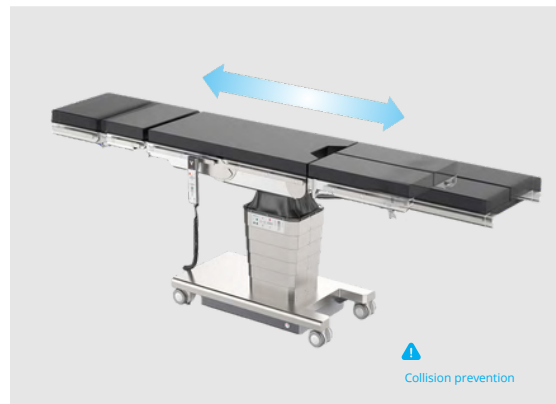
## Efficient

Wide imaging access ensures efficient for high-quality image acquisition



## Intelligent

Intelligent remote control makes it easy to precisely adjust the patient's position



## Safe

Anti-Collision feature activates during slide operation when back plate angle is less than 0 degrees

# INFINIUM<sup>®</sup> ST300

## Practical & Usable Features



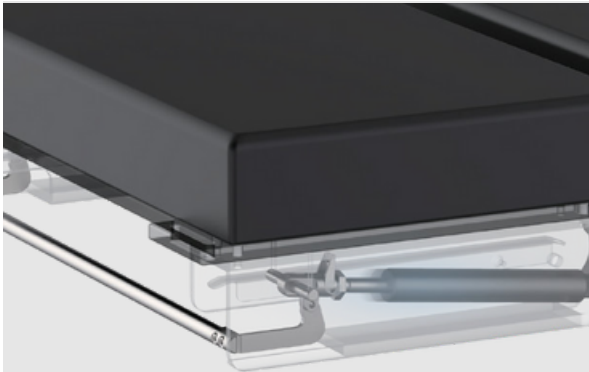
### Kidney Elevator (OPTIONAL)

The INFINIUM ST300 Series offers an optional 11cm kidney elevator that can be used with the Flex function



### One Button Design

Allows users to efficiently handle and remove attachment accessories.



### Gas Spring Headrest Adjustment

Easy angle manipulation with gas spring and high safety posture-maintenance functionality



### Comfort Mattress

The memory foam seat adjusts according to the user's body shape, ensuring comfort and stability.



### Battery indicators

It is designed to allow real-time checking of the battery level



### Foot Access for Surgeon

Comfortable and ergonomic positioning with maximum foot access for the surgeon

# Flexible Surgery Applications



Lower Limb Surgery



Gynecology / Urology Surgery



Orthopedic Surgery



Neuro Surgery



Spine Surgery

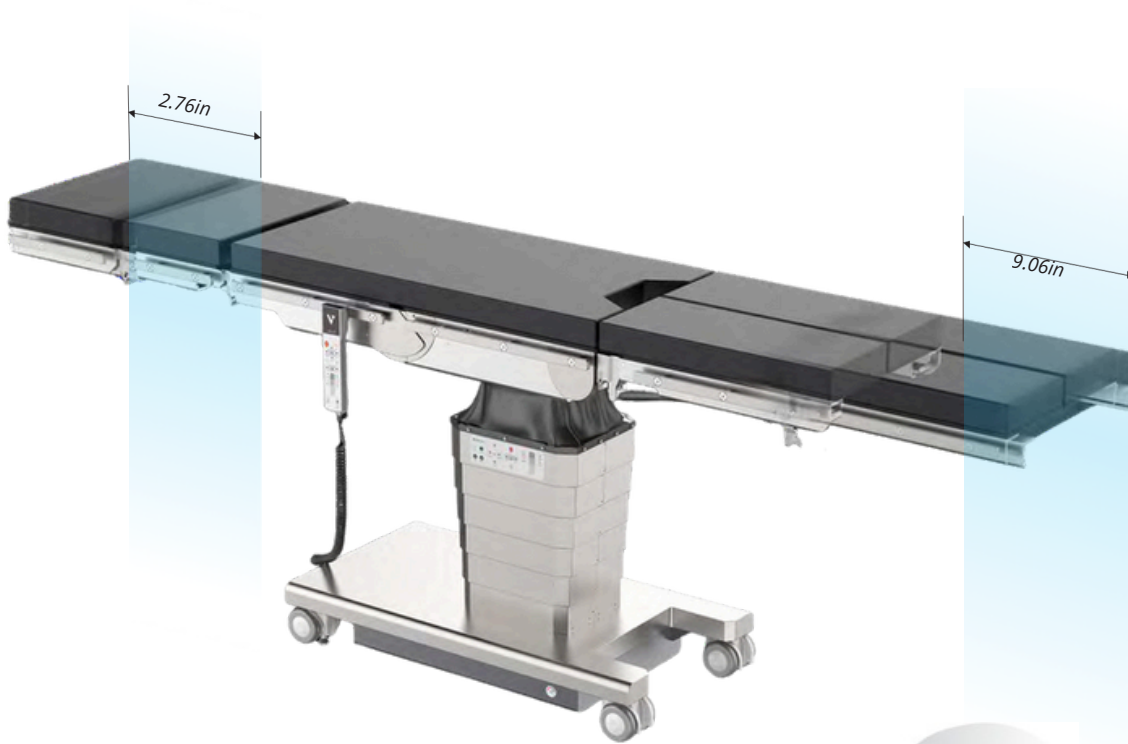


Kidney Surgery  
OPTIONAL

# INFINIUM<sup>®</sup> ST300

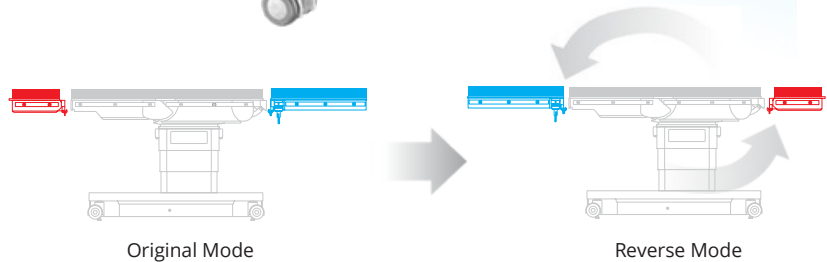
## Imaging Access

The ST300 has a radiotranslucent sliding top with removeable and reversible configurations. The design allows for ample image options and C-ARM access.



### Reverse Mode

To secure a wide imaging area, it can be utilized by switching to reverse mode

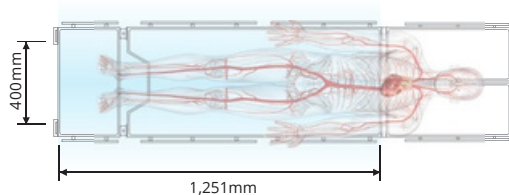
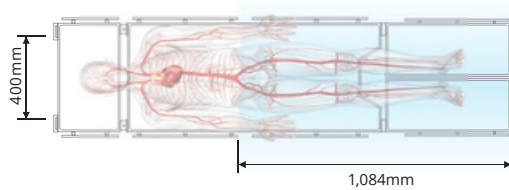
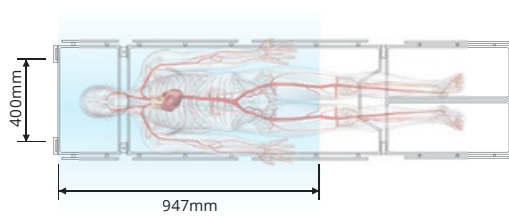


# C-ARM Clearance & Compatibility

The combination of up to 460 mm of Longitudinal shift allows the patient to move to the desired position, and the low base height and narrow column enable effective C-arm access. Additionally, the 400mm imaging area width is efficient for high-quality image acquisition



## Effective C-arm access



### Imaging area

Table Slide to Head (Normal Mode)	Imaging Length	Width	15.75in
		Length	37.28in
		Total imaging area	4.08 sq.ft

Table Slide to Foot (Normal Mode)	Imaging Length	Width	15.75in
		Length	42.68in
		Total imaging area	4.67 sq.ft

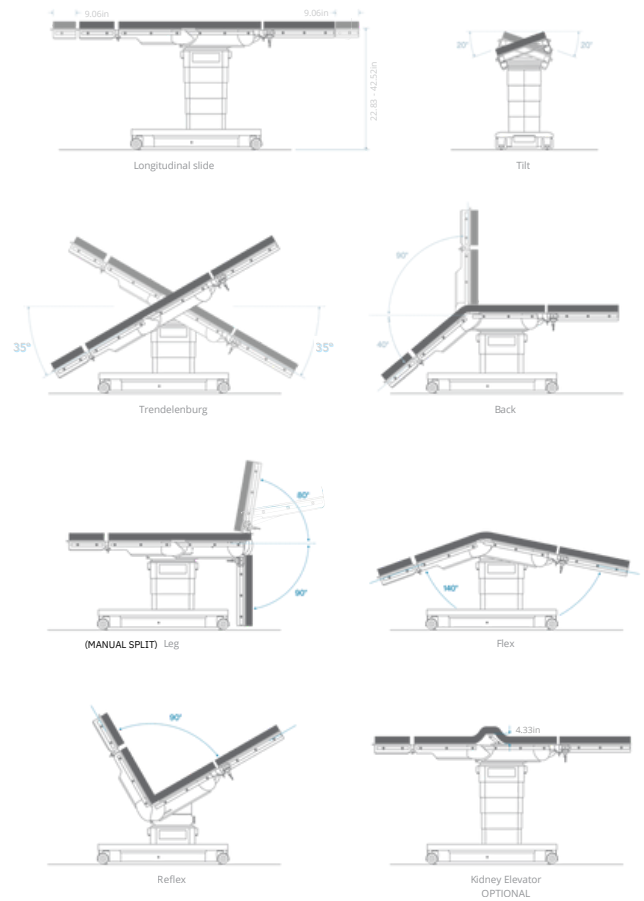
Table Slide to Foot (Reverse Mode)	Imaging Length	Width	15.75in
		Length	49.25in
		Total imaging area	5.39 sq.ft

# INFINIUM<sup>®</sup> ST300

## Ergonomic & Efficient Wired Remote



### Electronic Positioning



### Return to Level Function



### Electronic Floor Locking



# Numerous Accessory Options

## Easy to Attach Accessories

The INFINIUM ST300 series allows users to efficiently handle the removal and attachment positions of accessories such as orthopedic traction frames in a short period of time



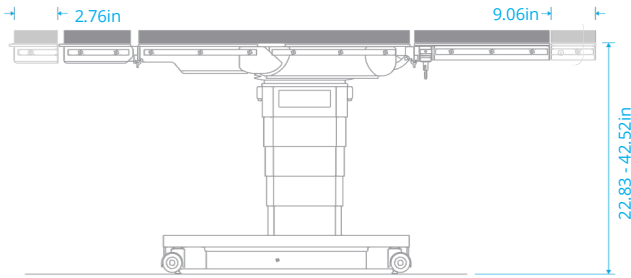
## Ergonomics & Usability

INFINIUM ST300 Series Tables and accessories are configured to provide an efficient platform for each procedure to suit the volume and variety of procedures to focus on the patient, streamlining the workflow and improving the efficiency of the operating room

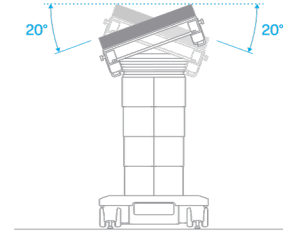


# INFINIUM<sup>®</sup> ST300

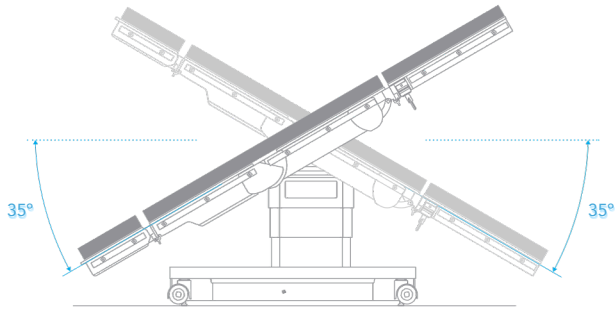
## Movement Specifications



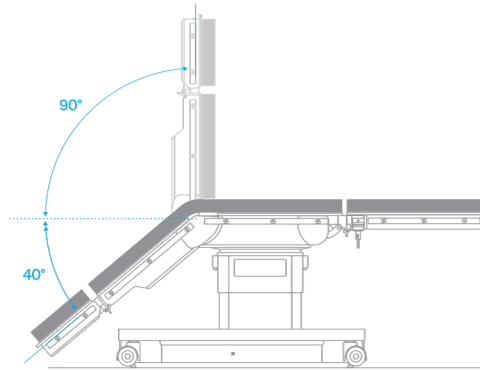
Longitudinal slide



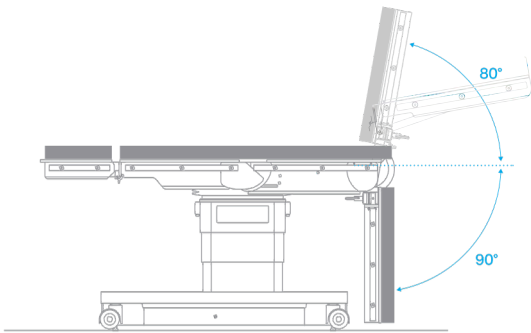
Tilt



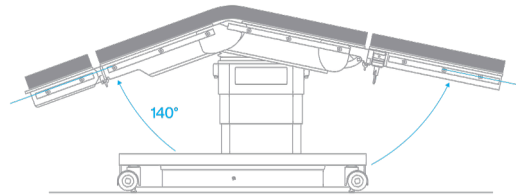
Trendelenburg



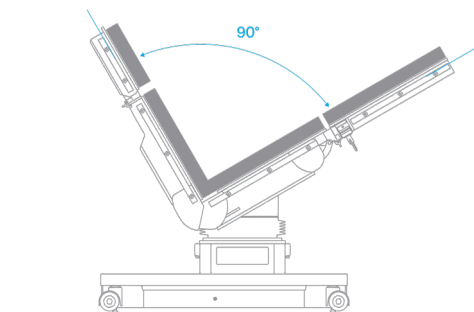
Back



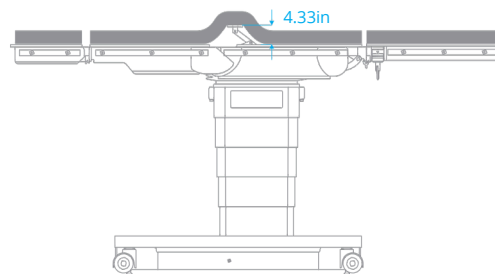
Leg



Flex



Reflex



Kidney Elevator  
OPTIONAL

# Technical Specifications

## Construction features

The ST300 is designed as a more affordable and slightly more compact version of the ST500 while maintaining most of the key features

Can operate with internal power and external power

4 point self leveling floor locks ensure stable positioning of the table with fully mechanical emergency brake release

Column casing and base cover made of stainless steel

Supporting frames for the seat section and back section made of aluminum leg plate sockets, joint covers and side rails made of stainless steel

Operating table top subdivided into four sections : headrest, back plate, seat plate, leg plates

Symmetrical accessory interfaces for Normal and Reverse positioning

If the electronics or hydraulics fail, an integrated tool can manually unlock the brakes

## Electrical data

Specially designed batteries with capacity for two working days use in the operating room

Electronic monitoring of the battery charge level with optical indicator

Batteries recharged from mains power supply, 50-60 Hz, via power supply cord

## Rail Dimensions:

9.5mm x 28.5mm  
.375" in x 1.125" in



	LUVIS ST500E	LUVIS ST300
Length of Surgical Tabletop (in)	2,173	2,123
Width Without Side Rails (mm)	20.47	20.47
Width Across Side Rails (in)	22.52	22.52
Weight (lbs)	705	617
Maximum Overall Load *patient and accessories	<ul style="list-style-type: none"> <li>• 1,000lb (454kg) patient support, including raise/lower (when centered on the column in normal orientation)</li> <li>• 600lb (272kg) full table articulation, including slide</li> <li>• 350lb (159kg) : reverse mode</li> </ul>	
Height Without Padding (in)	22.8-42.5	23.6-39.4
Trendelenburg / Reverse Trendelenburg (°)	35/35	35/35
Lateral Tilt (°)	20/-20	25/-25
Back Section (°)	90/-40	90/-40
Leg Section (°)	0/-105 (1plate)	10/-90 (2plates) *manual
Headrest (°) *manual	45/-45 30/-90	45/-45 30/-90
Longitudinal Slide (in)	18.11	11.81
Kidney Elevator (in) OPTIONAL	4.33	4.33
Flex / Reflex (°)	140/90	140/90
Base Brake Mechanism *lock / unlock	Electronic	Electronic




# ST300

Surgical Table Platform



**INFINIUM**

Infinium Medical  
12151 62nd St North #5  
Largo, FL 33773 • USA

 (1) 866-918-8434  
 [infiniummedical.com](http://infiniummedical.com)  
 [sale@infiniummedical.com](mailto:sale@infiniummedical.com)