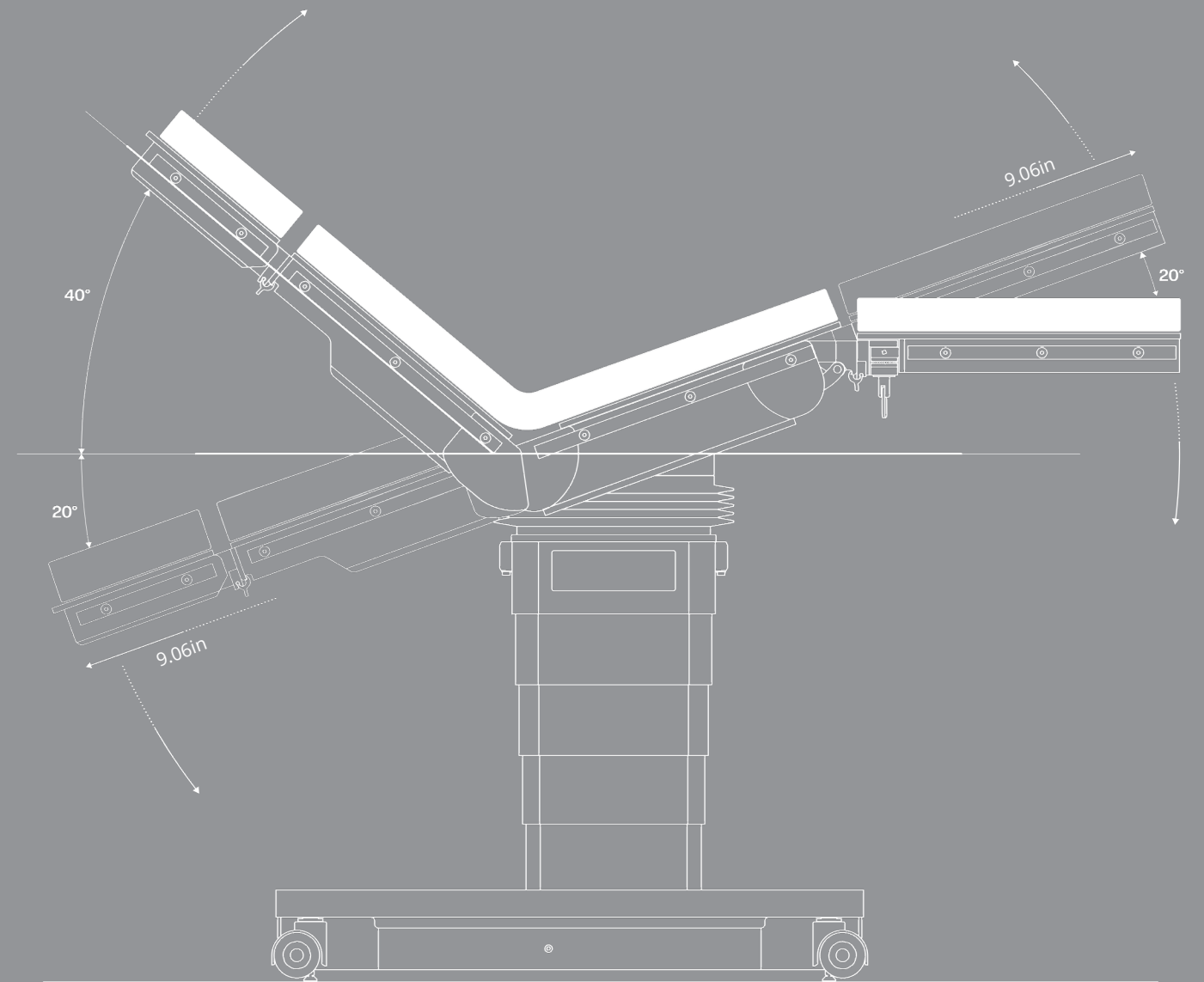


INFINIUM[®] ST500

Versatile & Efficient
Surgical Platform

Designed to provide an efficient platform for various surgeries, streamlining surgical workflows, and enhancing the efficiency of the operating room



Ergonomically designed to provide optimal surgical positions, ensuring convenient and comfortable procedures for both surgeons and patients

INFINIUM[®]

Introduction

Today's flexible surgical environments require tables that can easily adapt to a variety of situations to bring nurses, technicians, and specialists together to provide efficient surgical procedures



GREAT IN COMBINATION WITH INFINIUM - LUXOR 400 LED Light Systems

The Infinium LUXOR Series is a leading shadowless Surgical and operating room light series that offers Innovative features & outstanding product quality. It is in use in medical facilities in over 80 countries worldwide. The LUXOR 400 has won numerous international design awards (IF, GD, etc.)

and was selected as a next-generation world-class product, changing the paradigm for innovation and efficiency.

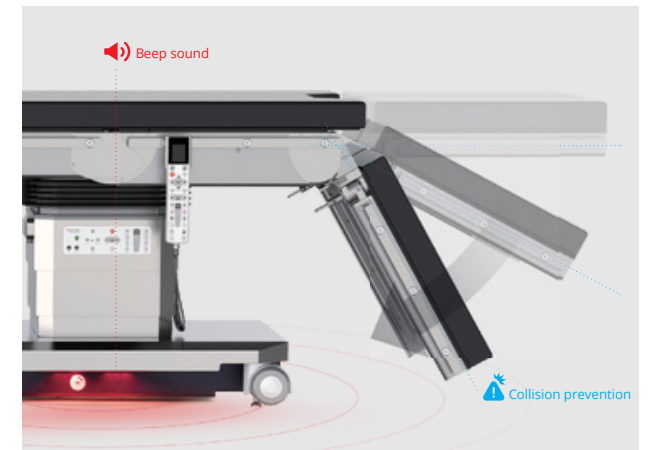
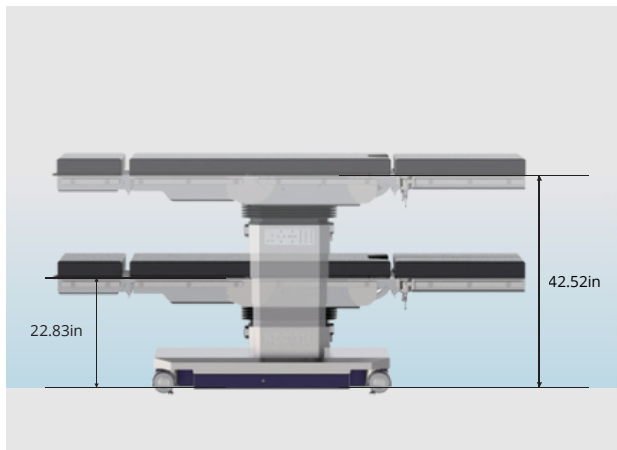
NOW, based on more than 15 years of development know-how and clinical data, the ST500 Surgical Platform is offered as a superior alternative for surgery centers.

INFINIUM® | ST500



Features

- Smart Anti-Collision
- Table height of 22.83in ~ 42.52in
- Weight capacity of 1,000 lbs
- Longitudinal shift 18.11in
- LCD Remote Control (Display Realtime Information)
- Pre-Programmed memory 4 position
- LED Indication
- 360° rotative 4 wheel castors



Versatile

INFINIUM ST500 Surgical table provides an exceptionally low height for MIS, robotic and bariatric techniques without sacrificing the height needed for orthopedic and cardiac procedures

Efficient

Optimal solution for cardiovascular surgery with wide imaging access and better radiolucency

Intelligent

Intelligent remote control makes it easy to precisely adjust the patient's position

Safe

revolutionary surgical table that allows for safe and secure surgeries

Versatile

INFINIUM ST500 Series are flexible to support the various surgical applications you perform



Versatile for Multiple Positions



Lower Limb Surgery



Gynecology / Urology Surgery



Orthopedic Surgery



Neuro Surgery



Spine Surgery



Kidney Surgery

Efficient

Effective accessory attachment

The INFINIUM ST500 series allows users to efficiently handle the removal and attachment positions of accessories such as orthopedic traction frames in a short period of time



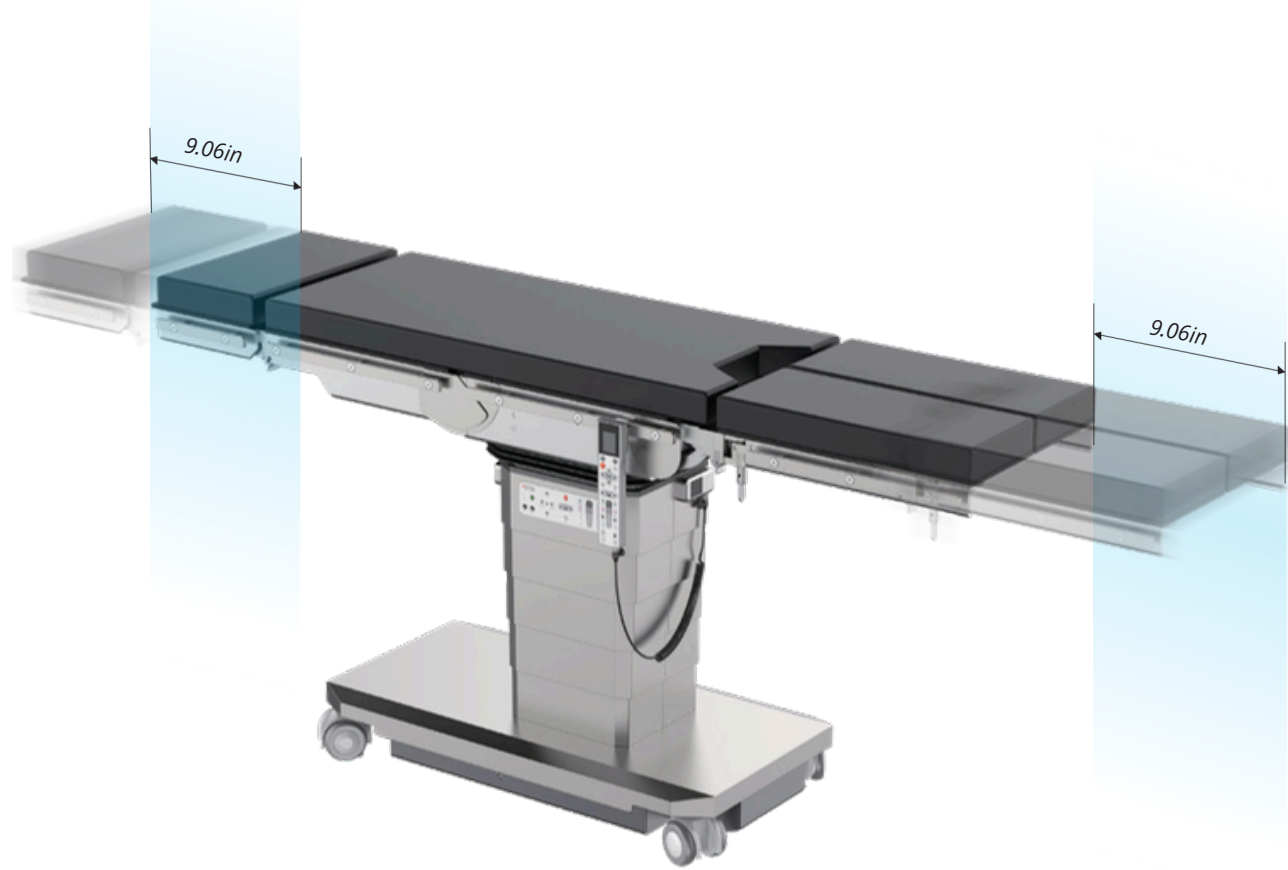
Efficiency of Usability

INFINIUM ST500 Series Tables and accessories are configured to provide an efficient platform for each procedure to suit the volume and variety of procedures to focus on the patient,streamlining the workflow and improving the efficiency of the operating room



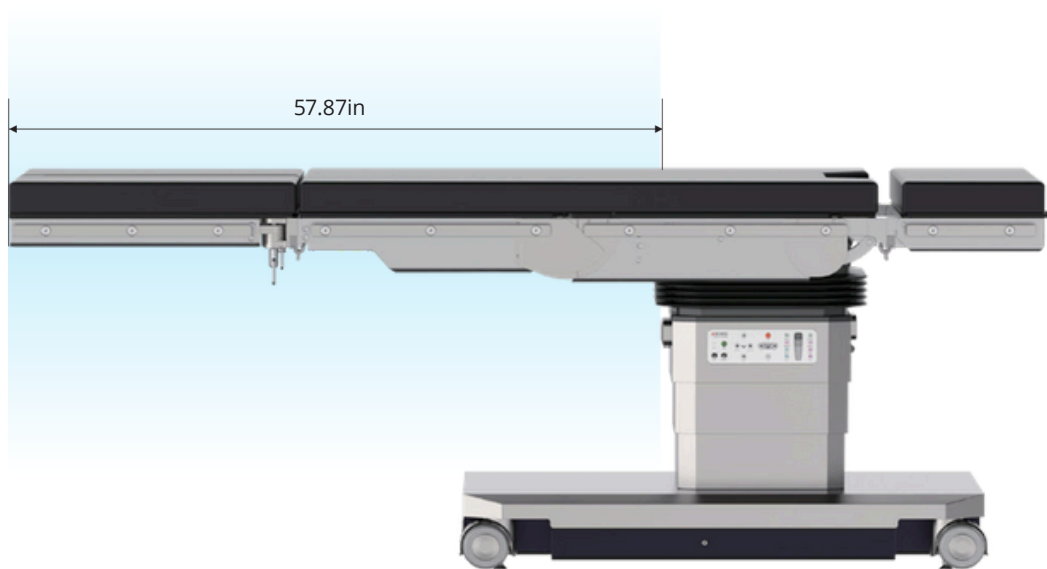
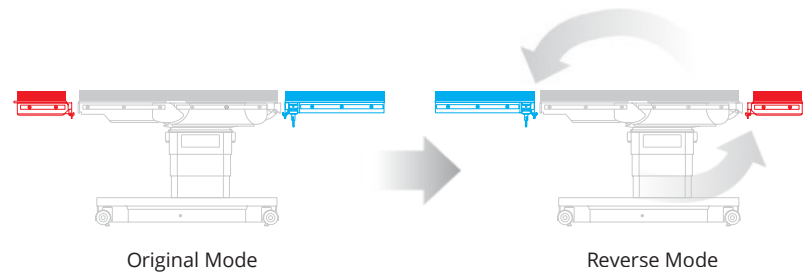
Imaging Access

Living up to all requirements
The multifunctional INFINIUM ST500 OR Table



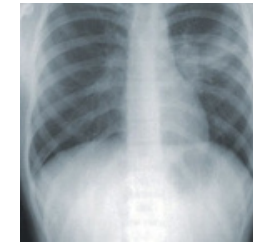
Reverse Mode

To secure a wide imaging area, it can be utilized by switching to reverse mode



INFINIUM ST500 series is designed for optimal C-arm access

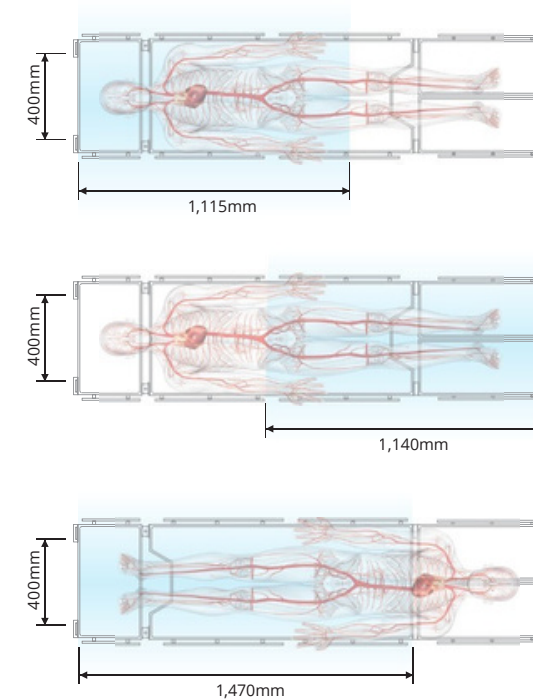
The combination of up to 460 mm of Longitudinal shift and reverse mode allows the patient to move to the desired position, and the low base height and narrow column enable effective C-arm access. Additionally, the 400mm imaging area width is efficient for high-quality image acquisition



Optimal solution for cardiovascular surgery with wide imaging access and better radiolucenc



Effective C-arm access



Imaging area

		Width	15.75in	
Table Slide to Head (Normal Mode)	Imaging Length	Length	43.90in	
			Total imaging area	14.63 sq.ft
Table Slide to Foot (Normal Mode)	Imaging Length	Length	44.88in	
			Total imaging area	14.96 sq.ft
Table Slide to Foot (Reverse Mode)	Imaging Length	Length	57.87in	
			Total imaging area	19.29 sq.ft



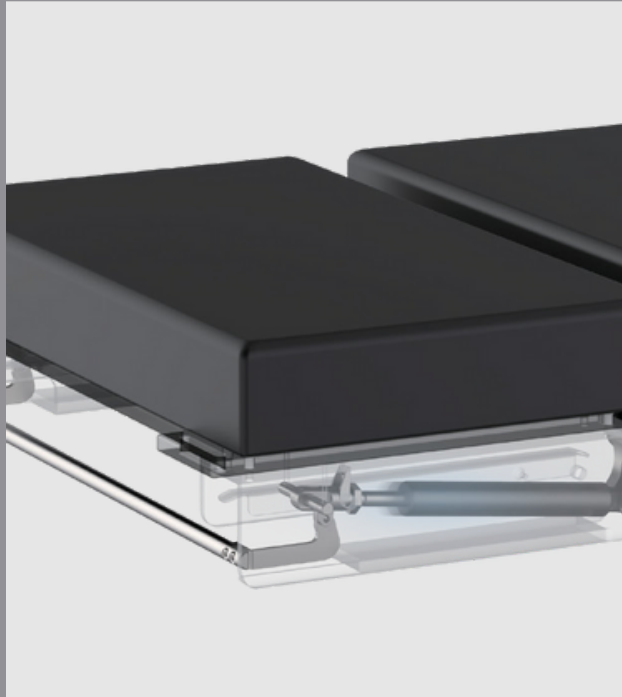
Kidney Elevator

The INFINIUM ST500 Series offers an optional 11cm kidney elevator that can be used with the Flex function



One button Design

The INFINIUM ST500 series allows users to efficiently handle the removal and attachment positions of accessories such as orthopedic traction frames in a short period of time



Gas Spring headrest adjustment

Easy angle manipulation with gas spring and high safety posture-maintenance functionality



Medical PULeather
 memory foam layer (30mm)
 High density layer (40mm)
 Medical PULeather

Comfortable Sheet

The memory foam seat adjusts according to the user's body shape, ensuring an accurate and comfortable posture is maintained

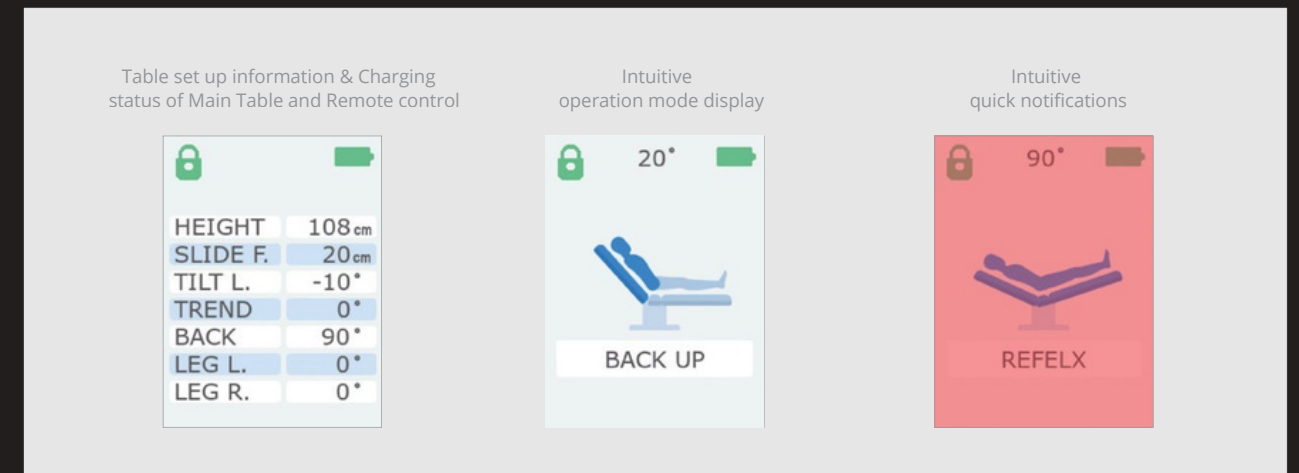


Intelligent



Features

- The LCD display provides information on basic table condition and potential table section interference with automatic limit sensor function and service diagnostics
- Instant access to smooth articulation, return-to-level, floor lock activation and patient positioning
- Anti-collision software will stop sectional collisions
- Intelligently designed buttons icon offer quick and confident identification of the frequently used functions
- Efficient remote control designed for wired and wireless use
- Backlit screen for clear visibility in darkened rooms
- Pre-programmed positions : Fracture Table and beach chair



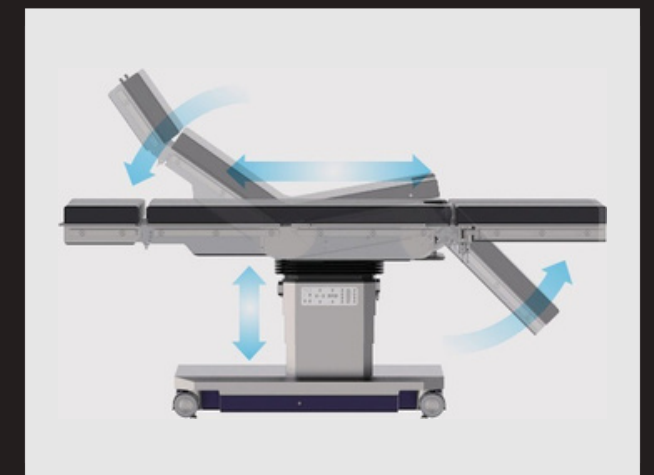
Smart Remote Control

The smart remote control makes it easy to position the patient. The ergonomic design and easy-to-read LCD display deliver instant table position data without lifting sterile drapes. There is also an automatic collision avoidance device to protect the table.



Wired-wireless Remote Control

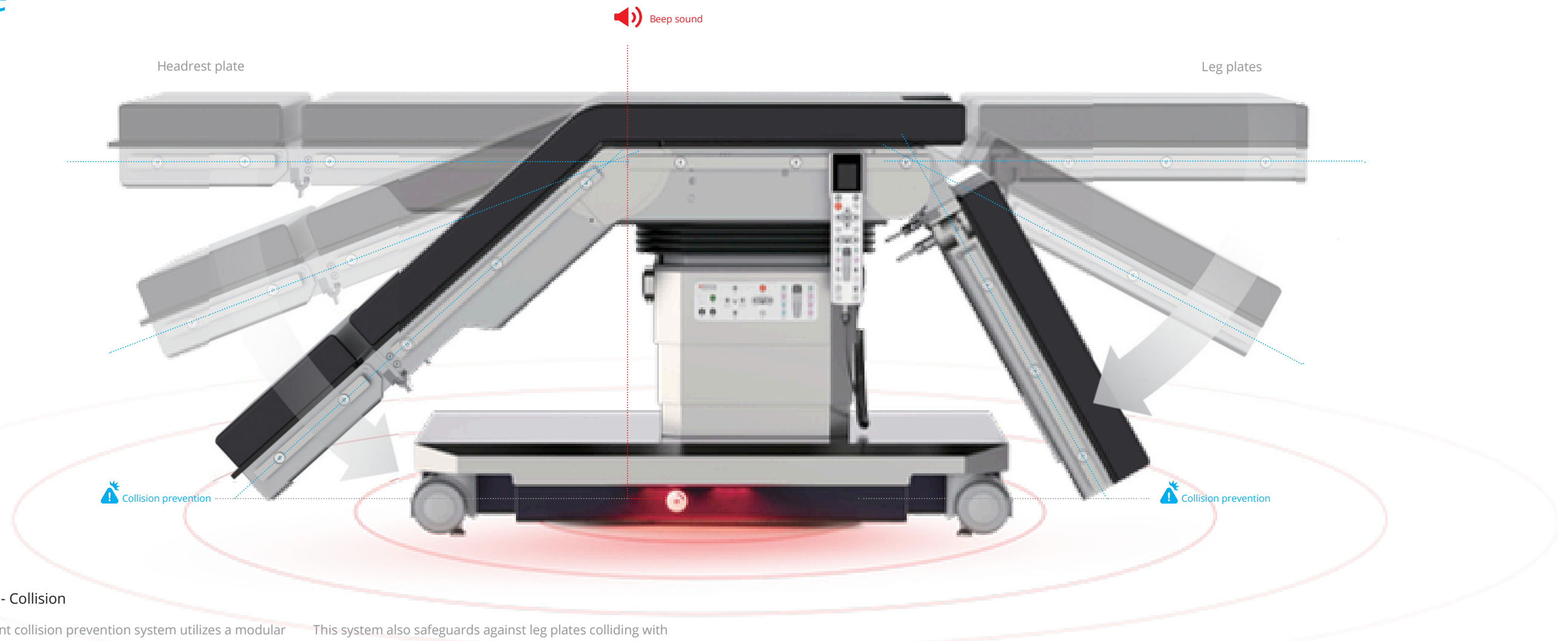
Available for both wired and wireless use according to user convenience



Return to LEVEL (Zero Position)

Provides a feature to reset the surgical table to its initial settings after each surgery, tailored to accommodate all surgical procedures

Safe



Smart Anti - Collision

The intelligent collision prevention system utilizes a modular recognition system to monitor the positions of table elements, effectively preventing collisions. This system also safeguards against leg plates colliding with solid objects when the table is covered with sterile surgical sheets



Self-Locking

The self-locking system allows the headrest or leg plate to be attached safely and efficiently



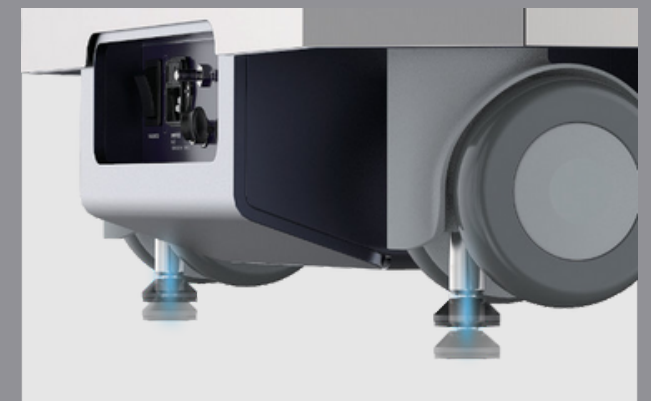
LED Indication

Enhancing safety, the LED indicators on either side of the lower base visually signify collision prevention between table sections, even in concealed areas covered by sterilization sheets



Battery indicators

It is designed to allow real-time checking of the battery level



Self-leveling

Floor locking mechanism for stability even on uneven surfaces

Technical Specifications

Construction features

Can operate with internal power and external power

4 point self leveling floor locks ensure stable positioning of the table with fully mechanical emergency brake release

Column casing and base cover made of stainless steel

Supporting frames for the seat section and back section made of aluminum

leg plate sockets, joint covers and side rails made of stainless steel

Operating table top subdivided into four sections : headrest, back plate, seat plate, leg plates

Symmetrical accessory interfaces for Normal and Reverse positioning

If the electronics or hydraulics fail, an integrated tool can manually unlock the brakes

Electrical data

Specially designed batteries with capacity for two working days use in the operating room

Electronic monitoring of the battery charge level with optical indicator

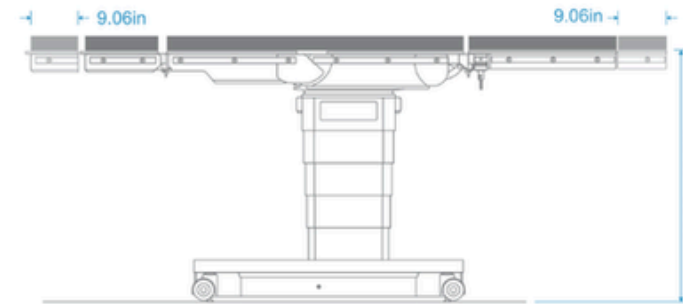
Batteries recharged from mains power supply, 50-60 Hz, via power supply cord

Technical data

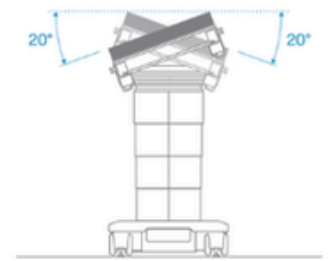
	INFINIUM ST500	INFINIUM ST500E
Length of operating table top	85.55 in	85.32 in
Width without side rails	20.47 in	20.47 in
Width across side rails	22.52 in	22.52 in
Weight	705.48 lb	705.48 lb
Maximum overall load (patient and accessories)	•1,000 lb.(454 kg) patient support, including raise/lower (when centered on the column in Normal Orientation) •600 lb.(272 kg) full table articulation, including Slide •350 lb. (159 kg) : Reverse Mode	

Electrohydraulic adjustments via corded hand control, IR hand control, and override panel

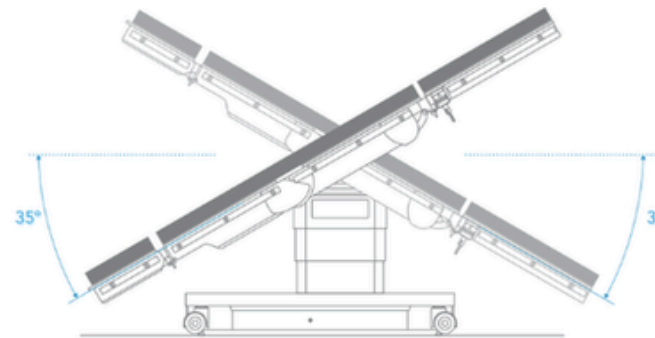
	INFINIUM ST500	INFINIUM ST500E
Height without padding	22.83 - 42.52in	22.83 - 42.52in
Trendelenburg / Reverse Trendelenburg	35°/35°	35°/35°
Lateral tilt	20°	20°
Back plate	90°/- 40°	90°/- 40°
Leg plate	10°/- 90°(Manual)	80°/- 90°
Headrest (Manual)	45°/- 45°	45°/- 45°
Longitudinal slide	18.11 in	18.11 in
Kidney Elavator	4.33 in	4.33 in
Flex/Reflex	140°/90°	140°/90°
Base brake mechanism (lock/unlock)	Electric	Electric



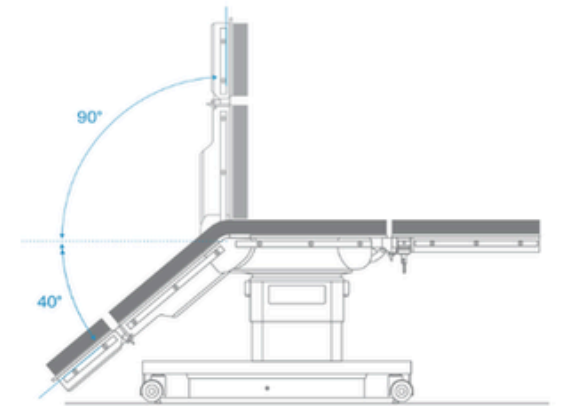
Longitudinal slide



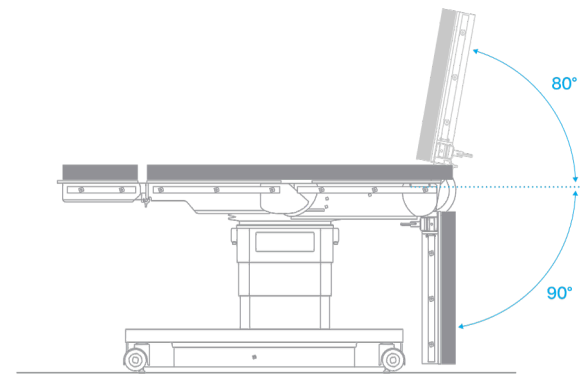
Tilt



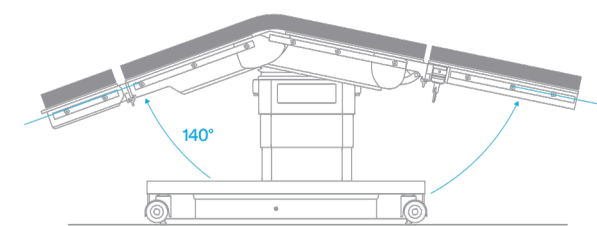
Trendelenburg



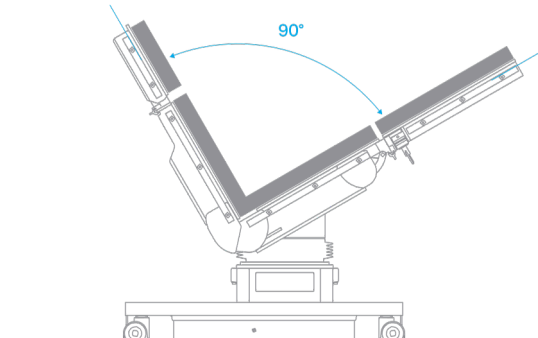
Back



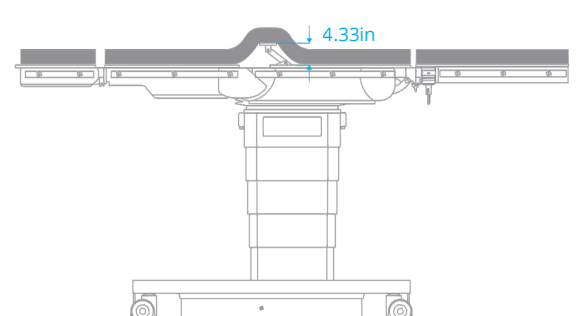
Leg



Flex










Reflex



Kidney elavator

Table Accessories

Parts name	Picture
Arm Plate	
Anesthesia Screen frame	
Waist Support	
Leg Support (EU TYPE)	
Knee Board	
Shoulder Support	
Hanging Arm plate	

Parts name	Picture
Infusion Rack	
Head Support	
Spine Surgery Frame (carbon) 1set	
Shoulder Surgery Device	
Orthopedic Traction Frame - 1set	
Dirt basin group	
Lithotomy Position Stirrups	
Waste Tray & Anesthesia Screen	

Rail Types

Type	mm	inch
US Rail	9.5mm x 28,5mm	0.375" x 1.125"
EU Rail	10mm x 25mm	NONE
UK Rail	6.35mm x 31.75mm	0.25" x 1.25"
Denyer Rail	6.35mm x 38.1mm	0.25" x 1.5"
Swiss Rail	10mm x 30mm	NONE
Japanese Rail	9mm x 32mm	NONE

INFINIUM

We are here for the long run to make a difference for medical professionals and patients. INFINIUM is actively shaping the future and drawing the blueprint for tomorrow.

www.infiniummedical.com

INFINIUM[®]

INFINIUM MEDICAL
Largo FL 33773 • USA

(1) 727-531-8434
www.infiniummedical.com

D - C - LVSM - V1 - 202401 - ENG

COPYRIGHT 2024 . INFINIUM Medical . ALL RIGHTS RESERVED



INFINIUM[®]

Innovative, Passionate, Reliable - INFINIUM

We aspire to make a difference in healthcare by providing the best products and services, pursuing the highest values for our customers, enabling humanity to lead healthy and happy lives