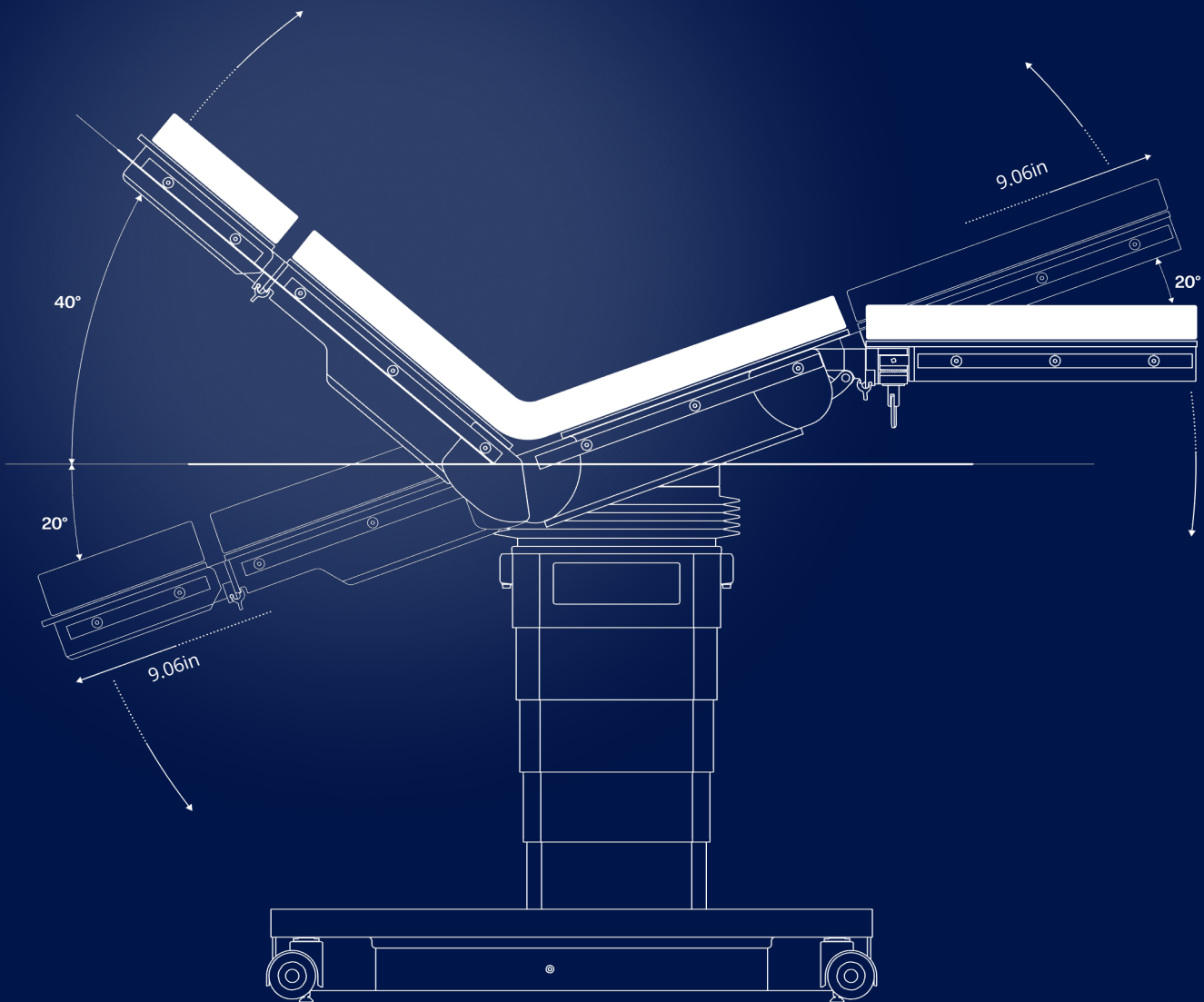


INFINIUM[®]

ST500 E

Versatile & Efficient
Surgical Platform

Designed to provide an efficient platform for various surgeries, streamlining surgical workflows, and enhancing the efficiency of the operating room



Ergonomically designed to provide optimal surgical positions, ensuring convenient and comfortable procedures for both surgeons and patients

INFINIUM[®]

INFINIUM[®] | ST500E

A Premier Platform Engineered for Extraordinary Value



Today's flexible surgical environments require tables that can easily adapt to a variety of situations to bring nurses, technicians, and specialists together to provide better surgeries.



Smart Alarms
(Lock/Unlock/Limit/Anti-Collision)



Imaging Friendly Features
(18" Slide / Radiotranslucent Top)



LCD Remote Controller
(Display Realtime Information)



360° 4 Swivel Castors



Pre-Programmed Memory Position

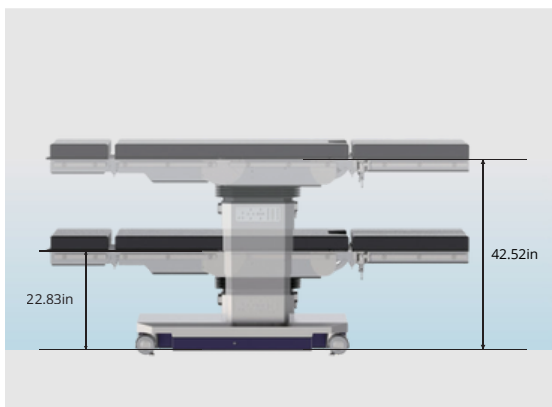
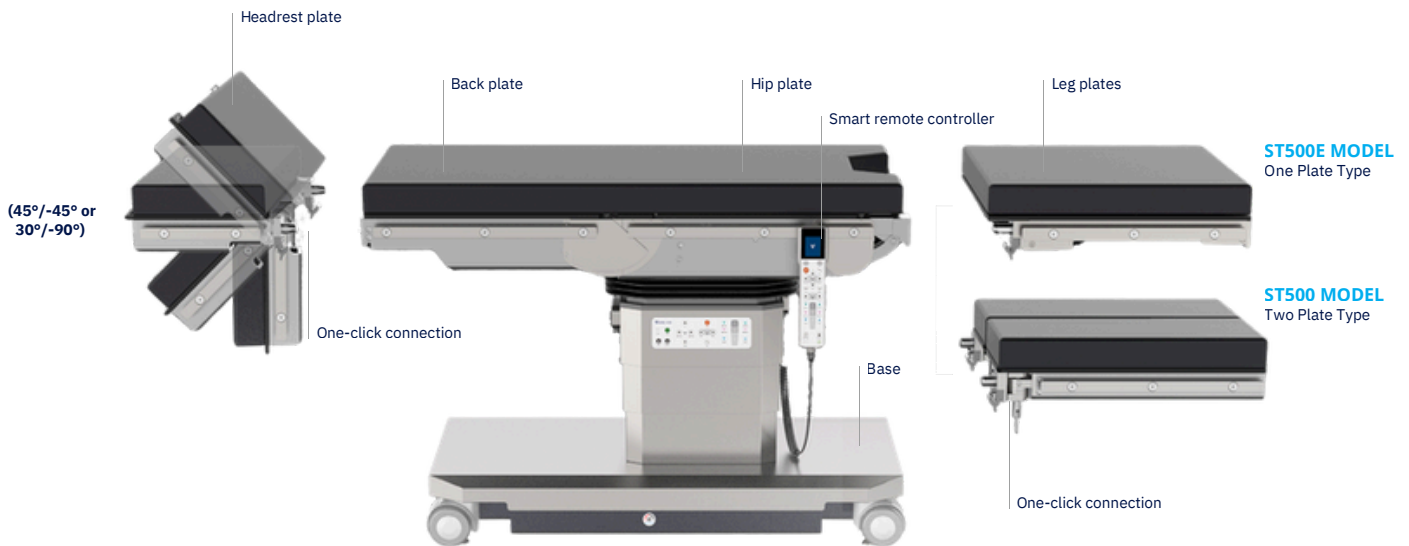


1000 Pound Weight Capacity



INFINIUM® | ST500E

Advanced Engineering & Technology



Versatile

INFINIUM ST500E Surgical table provides an exceptionally low height for MIS, robotic and bariatric techniques without sacrificing the height needed for orthopedic and cardiac procedures



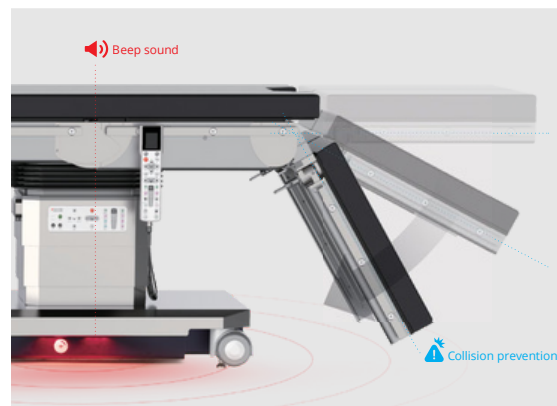
Efficient

Optimal solution for cardiovascular surgery with wide imaging access and better radiolucency



Intelligent

Intelligent remote control makes it easy to precisely adjust the patient's position



Safe

revolutionary surgical table that allows for safe and secure surgeries



Kidney Elevator

The INFINIUM ST500E Series offers an optional 11 cm kidney elevator that can be used with the Flex function



One Button Design

Allows users to efficiently handle and remove attachment accessories such as orthopedic traction frames in a short period of time



Gas Spring Headrest Adjustment

Easy angle manipulation with gas spring and high safety posture-maintenance functionality



Comfort Mattress

The memory foam seat adjusts according to the user's body shape, ensuring an accurate and comfortable posture is maintained

INFINIUM® | ST500E

Versatile Surgery Procedure Configurations



Lower Limb Surgery



Gynecology / Urology Surgery



Orthopedic Surgery



Neuro Surgery



Spine Surgery



Kidney Surgery

Flexible Selection of Easy to Change Accessories

Easy to Attach Accessories

The INFINIUM ST500E series allows users to efficiently handle the removal and attachment positions of accessories such as orthopedic traction frames in a short period of time



Ergonomics & Usability

INFINIUM ST500E Series Tables and accessories are configured to provide an efficient platform for each procedure to suit the volume and variety of procedures to focus on the patient, streamlining the workflow and improving the efficiency of the operating room



INFINIUM® | ST500E

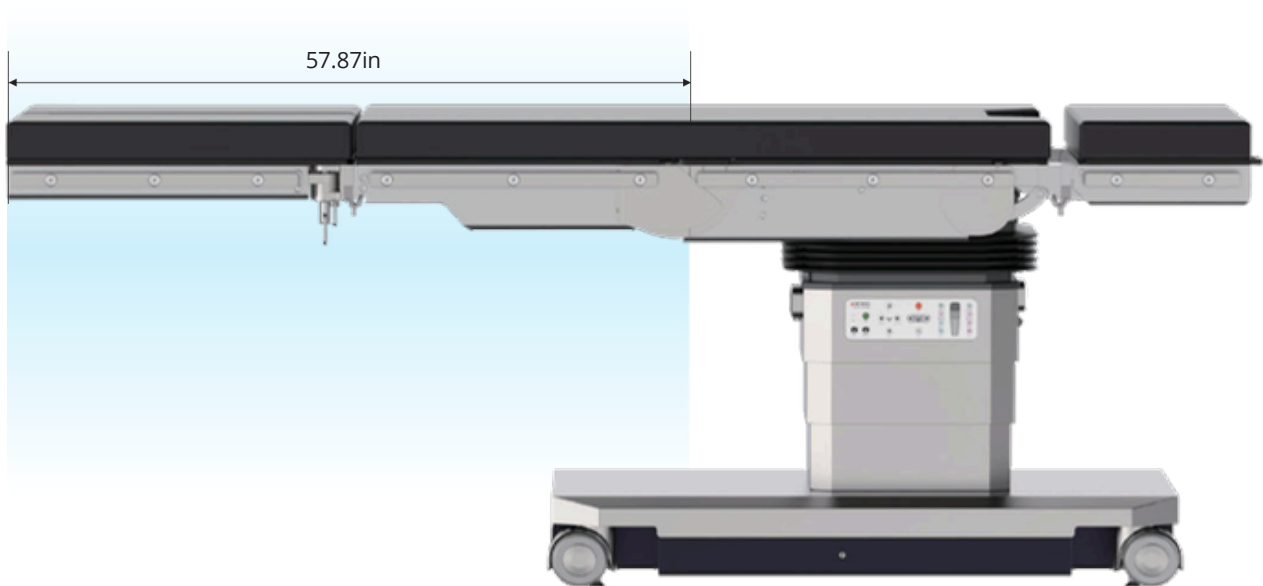
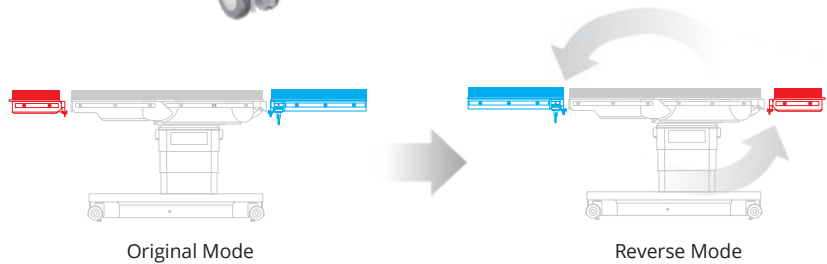
Engineered for Hybrid Imaging

The ST500E has a radiotranslucent sliding top with removeable and reversible configurations. The design allows for ample image options and C-ARM access.



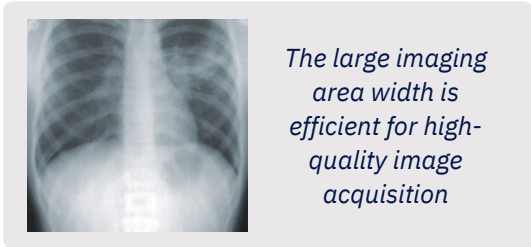
Reverse Mode

To secure a wide imaging area, it can be utilized by switching to reverse mode

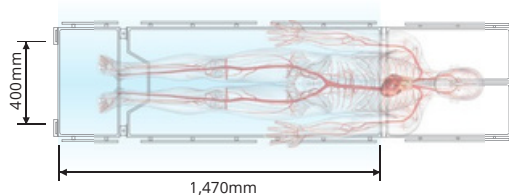
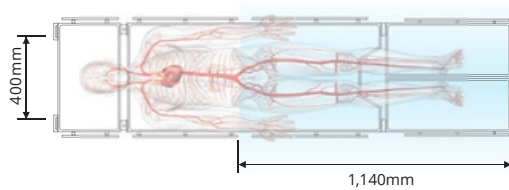
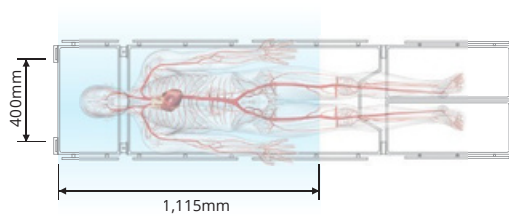


Designed for Optimal C-arm Access

18in of longitudinal shift allows for the ideal imaging position, while the the low base height and narrow column enable effective C-arm access.



The large imaging area width is efficient for high-quality image acquisition



Imaging area

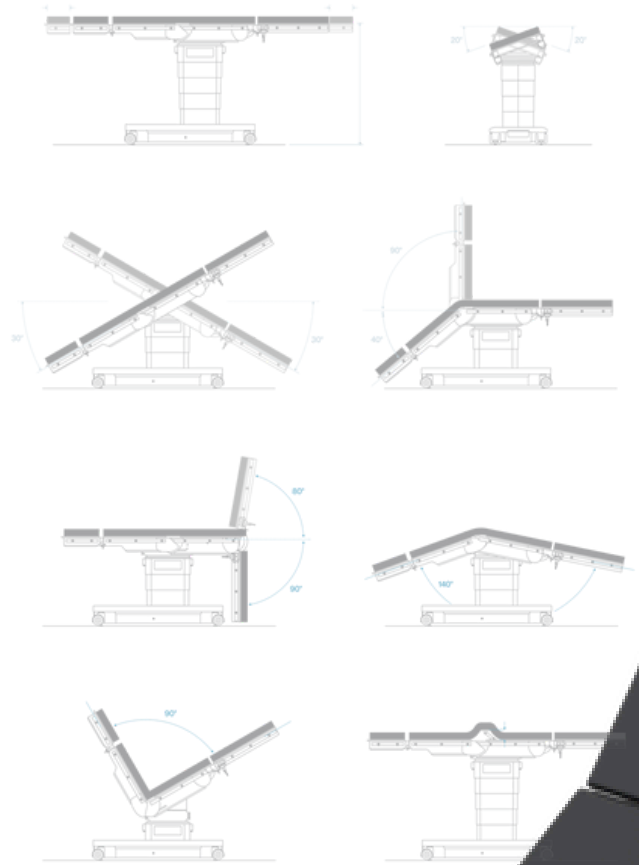
Table Slide to Head (Normal Mode)	Imaging Length	Width	15.75in
		Length	43.90in
		Total imaging area	4.8 sq ft

Table Slide to Foot (Normal Mode)	Imaging Length	Width	15.75in
		Length	44.88in
		Total imaging area	4.9 sq ft

Table Slide to Foot (Reverse Mode)	Imaging Length	Width	15.75in
		Length	57.87in
		Total imaging area	6.33 sq ft

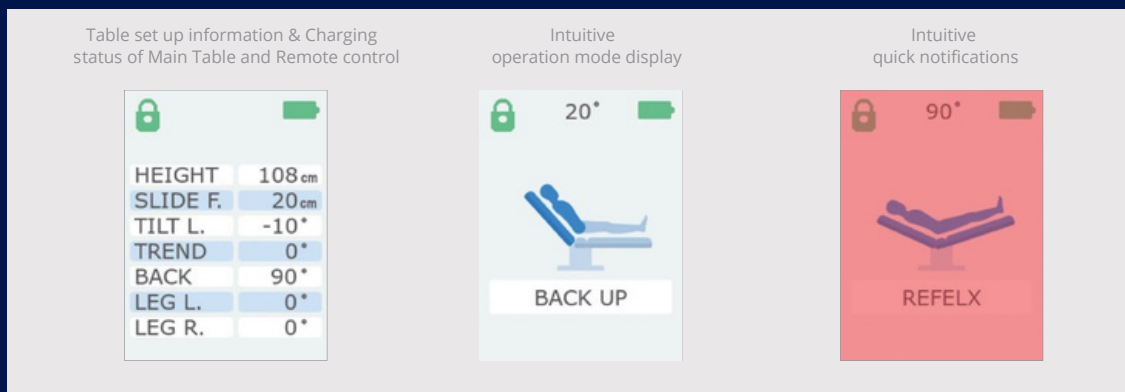
INFINIUM[®] ST500E

Smart LCD Remote



Features

- The LCD display provides information on basic table condition and potential table section interference with automatic limit sensor function and service diagnostics
- Instant access to smooth articulation, return-to-level, floor lock activation and patient positioning
- Anti-collision software will stop sectional collisions
- Intelligently designed buttons icon offer quick and confident identification of the frequently used functions
- Efficient remote control designed for wired and wireless use
- Backlit screen for clear visibility in darkened rooms
- Pre-programmed positions : Fracture Table and beach chair



Smart Remote Control

The smart remote control makes it easy to position the patient. The ergonomic design and easy-to-read LCD display deliver instant table position data without lifting sterile drapes

There is also an automatic collision avoidance device to protect the table



Wired / Wireless Remote Control

Available for both wired and wireless use according to user convenience

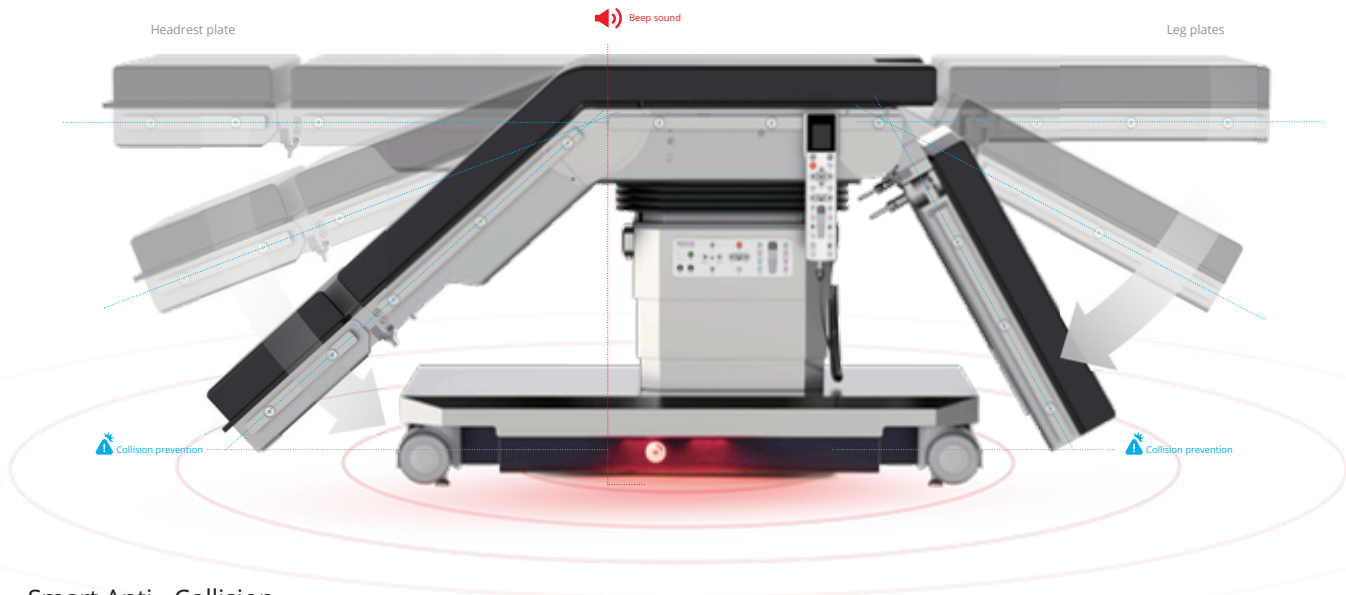


Return to LEVEL (Zero Position)

Provides a feature to reset the surgical table to its initial settings after each surgery, tailored to accommodate all surgical procedures

INFINIUM® ST500E

Automatic & Electronic Safety Mechanisms



Smart Anti - Collision

The intelligent collision prevention system utilizes a modular recognition system to monitor the positions of table elements, effectively preventing collisions

This system also safeguards against leg plates colliding with solid objects when the table is covered with sterile surgical sheets



Self-Locking

The self-locking system allows the headrest or leg plate to be attached safely and efficiently



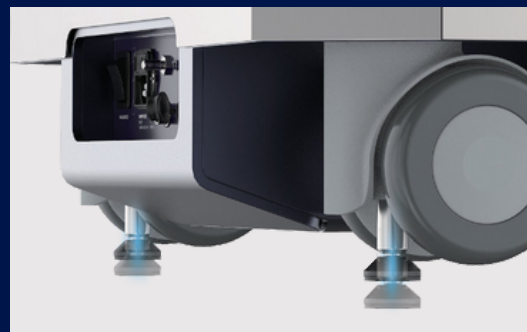
LED Collision Indication

Indicators on either side of the lower base assist collision prevention between table sections, even in concealed areas



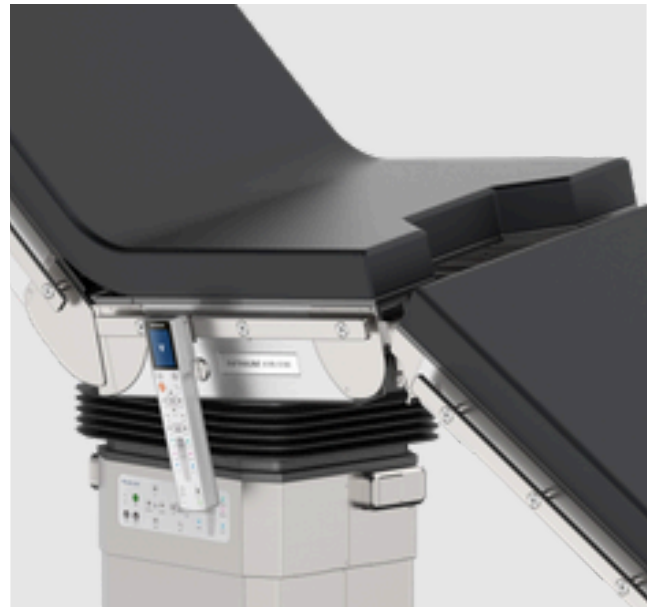
Battery indicators

It is designed to allow real-time checking of the battery level



Self-leveling

Floor locking mechanism for stability even on uneven surfaces



GREAT IN COMBINATION WITH INFINIUM - LUXOR 400 LED Light Systems

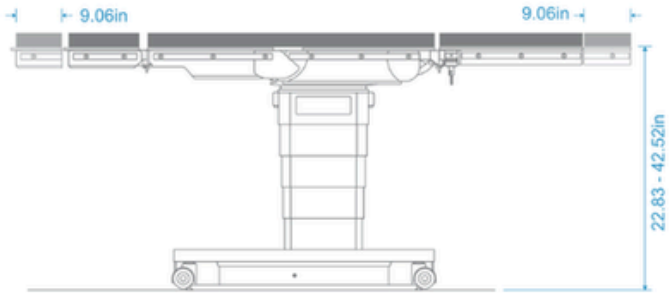
The Infinium LUXOR Series is a leading shadow-less Surgical and operating room light series that offers Innovative features & outstanding product quality. It is in use in medical facilities in over 80 countries worldwide. The LUXOR 400 has won numerous international design awards (IF, GD, etc.)

and was selected as a next-generation world-class product, changing the paradigm for innovation and efficiency.

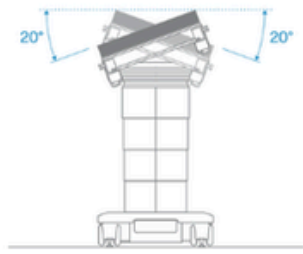
NOW, based on more than 15 years of development know-how and clinical data, the ST500E Surgical Platform is offered as a superior alternative for surgery centers.

INFINIUM[®] ST500E

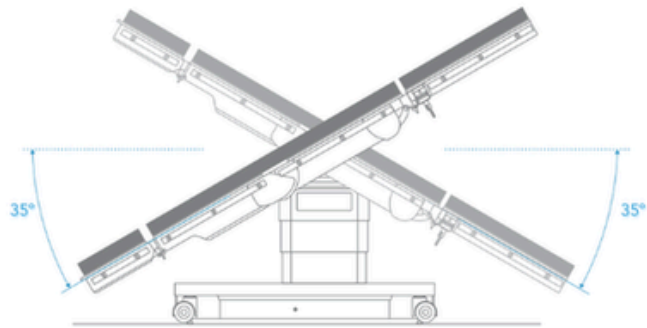
Technical Specifications & Drawings



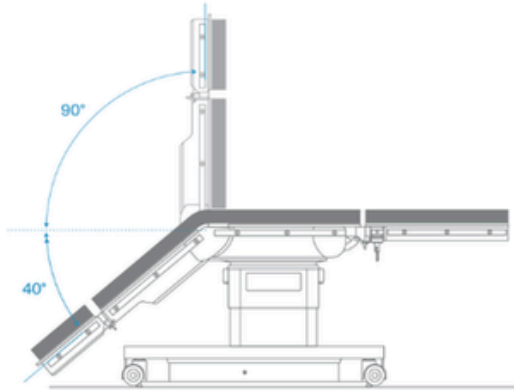
Longitudinal slide



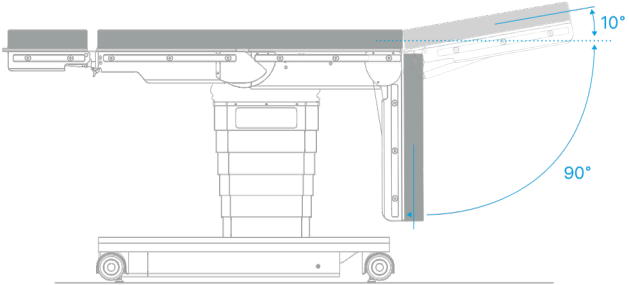
Tilt



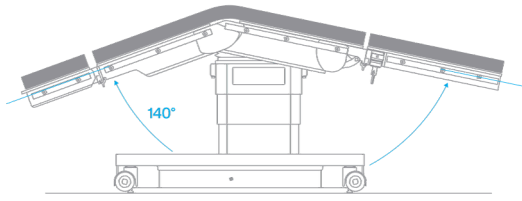
Trendelenburg



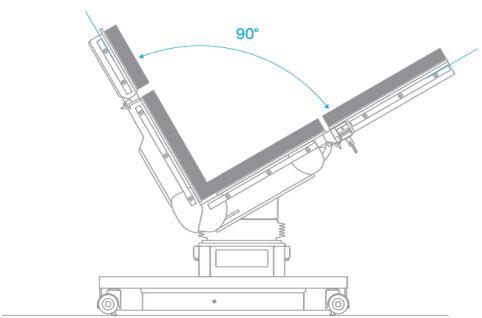
Back



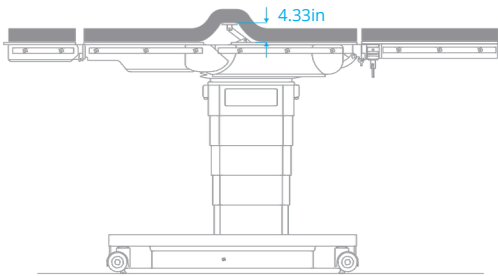
Leg



Flex



Reflex



Kidney elevator

Construction features

The ST500E is engineered as our flagship USA style surgical platform with more features and flexibility. If looking for standard features in a 1000 lb table consider the ST300 model.

Can operate with internal power and external power

4 point self leveling floor locks ensure stable positioning of the table with fully mechanical emergency brake release

Column casing and base cover made of stainless steel

Supporting frames for the seat section and back section made of aluminum leg plate sockets, joint covers and side rails made of stainless steel

Operating table top subdivided into four sections : headrest, back plate, seat plate, leg plates

Symmetrical accessory interfaces for Normal and Reverse positioning

If the electronics or hydraulics fail, an integrated tool can manually unlock the brakes

Electrical data

Specially designed batteries with capacity for two working days use in the operating room

Electronic monitoring of the battery charge level with optical indicator

Batteries recharged from mains power supply, 50-60 Hz, via power supply cord

Rail Dimensions:

9.5mm x 28.5mm
.375" in x 1.125" in

	LUVIS ST500E	LUVIS ST300
Length of Surgical Tabletop (in)	85.55	83.58
Width Without Side Rails (mm)	20.47	20.47
Width Across Side Rails (in)	22.52	22.52
Weight (lbs)	705	617
Maximum Overall Load *patient and accessories	<ul style="list-style-type: none"> • 1,000lb (454kg) patient support, including raise/lower (when centered on the column in normal orientation) • 600lb (272kg) full table articulation, including slide • 350lb (159kg) : reverse mode 	
Height Without Padding (in)	22.8-42.5	23.6-39.4
Trendelenburg / Reverse Trendelenburg (°)	35/35	35/35
Lateral Tilt (°)	20/-20	25/-25
Back Section (°)	90/-40	90/-40
Leg Section (°)	0/-105 (1plate)	10/-90 (2plates) *manual
Headrest (°) *manual	45/-45 30/-90	45/-45 30/-90
Longitudinal Slide (in)	18.11	11.81
Kidney Elevator (in)	4.33	4.33
Flex / Reflex (°)	140/90	140/90
Base Brake Mechanism *lock / unlock	Electronic	Electronic

ST500E

Surgical Table Platform



INFINIUM

Infinium Medical
12151 62nd St North #5
Largo, FL 33773 • USA



(1) 866-918-8434



infiniummedical.com



sale@infiniummedical.com